

IMPORTANT

**USE THIS SET OF
INSTALLATION
INSTRUCTIONS**



Smart Design[®]

SDSHO-01 / SDTUB-01



(It is recommended to install the sliding door panel on the opposite side of the shower head)



◆ General Information

Please inspect the product immediately upon receipt for transit damage, missing packs/parts or manufacturing fault. Damage reported later cannot be accepted. Please handle the product with care avoiding knocks and shock loading to all sides and edges of the glass.

Notes: Safety glass can not be re-worked.

Please read these instructions carefully before start of installation.

Special care should be taken when drilling walls to avoid hidden pipes or electrical cables.

Note: This product is heavy and may require two people to install.

Aftercare instructions

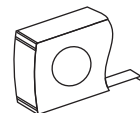
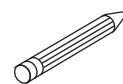
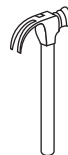
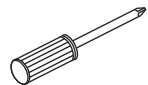
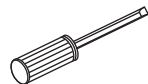
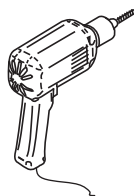
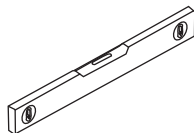
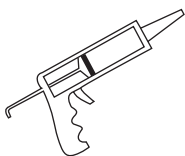
After use, your shower should be cleaned with soap and water. This is particularly important in hard water districts where insoluble lime salts may be deposited and allowed to build up.

Cleaners of a gritty or abrasive nature should not be used. Care should be taken to avoid contact with strong chemicals such as organic solvents and strippers.

Glass cleaners can be used but with caution, if in doubt contact the manufacturer of the cleaner in question.

Please keep these instructions for aftercare and customer service details.

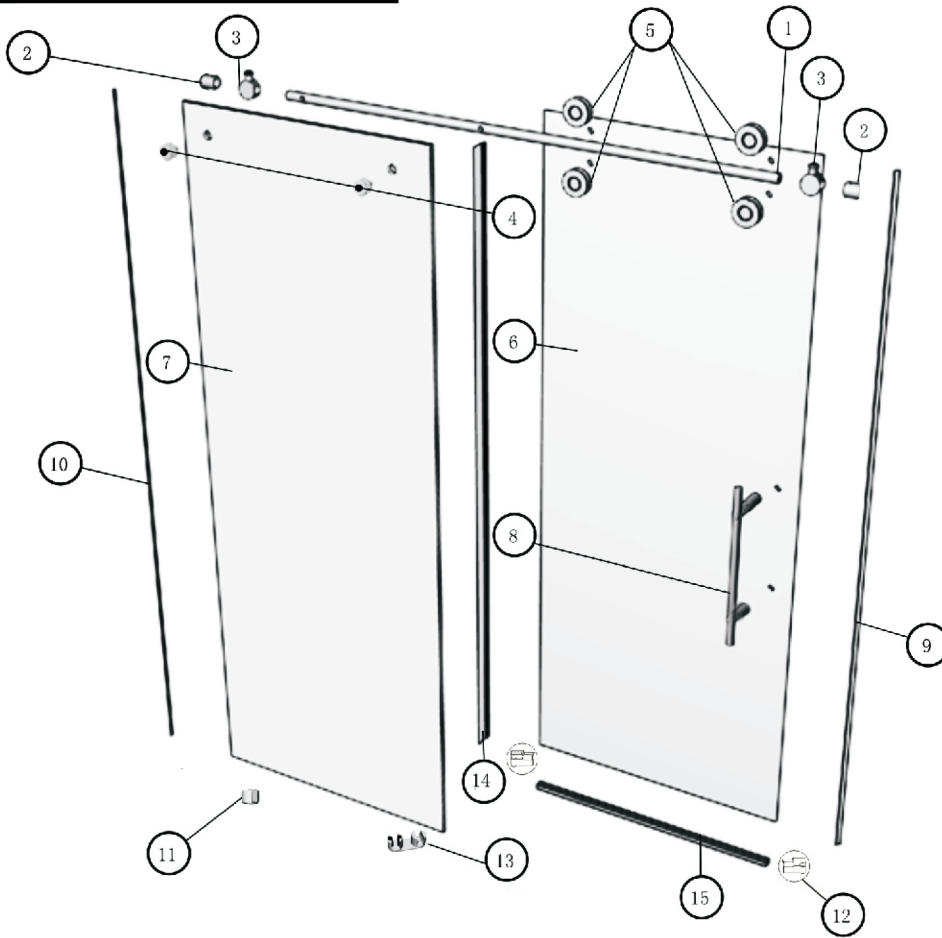
Tools Required



This product is heavy and may require two people to install.



1 PARTS LISTING

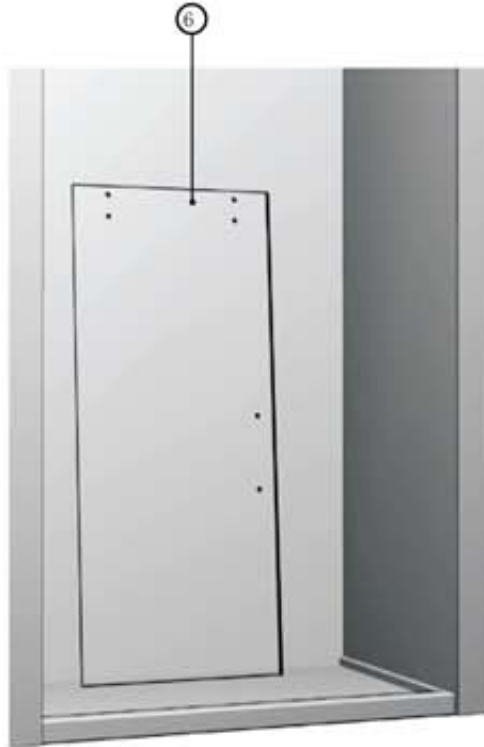


ITEM	NAMES	QTY
1	RUNNING RAIL	1
2	WALL BRACKET	2
3	STOPPERS	2
4	GLASS HOLDERS	2
5	TWIN ROLLERS	2 SET/PAIRS
6	SLIDING DOOR PANEL	1
7	FIXED PANEL	1
8	STRAIGHT HANDLE	1
9	GASKET (DOOR)	1
10	GASKET (FIXED PANEL)	1
11	BOTTOM GLASS CLIP	1
12	CLIP	2
13	BOTTOM GUIDE	1
14	DOOR PANEL SIDE GASKET	1
15	THRESHOLD	1

1 GASKET INSTALLATION

1A

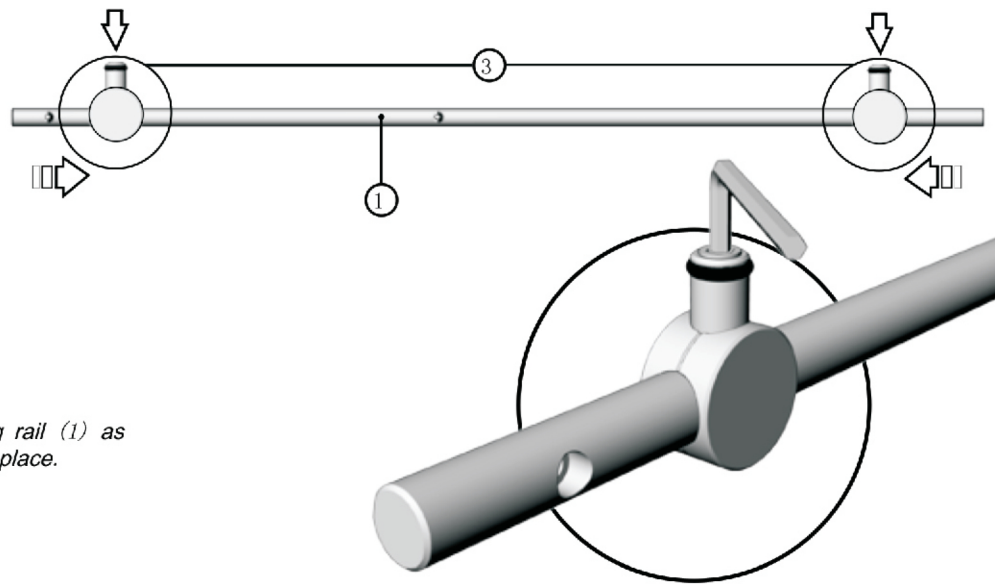
Place door panel (6) inside tub to simplify following installation procedures. Ensure placing the panel onto a cushioned surface, such as a towel or cardboard, to prevent damage either to the panel or the tub.



1B

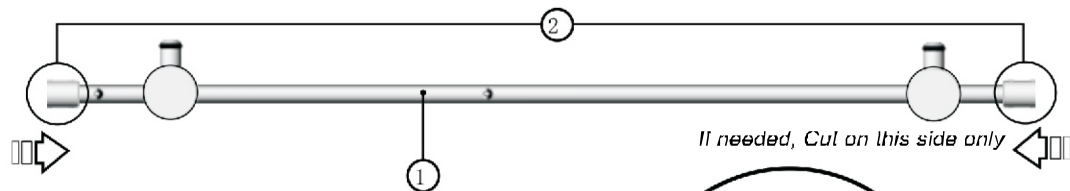
Thoroughly clean the edge of the fixed panel (7). Split the gasket for the fixed panel (10) and glue it to the edge of the fixed panel that will make contact with the finished wall.





2A

Position the stoppers (3) on the running rail (1) as illustrated. Secure them temporarily in place.



2B

Position the wall brackets (2) on the running rail (1) as illustrated. Secure them temporarily in place.

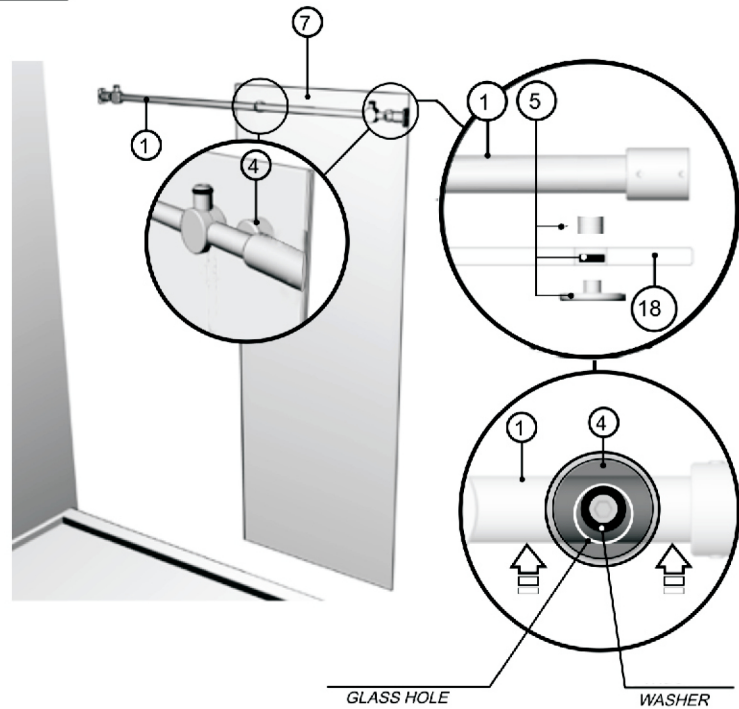
Place the running rail (1) and wall brackets (2) on desired wall opening and cut the bar (1) as needed.

Important: Cut the running rail bar (1) on the opposite side of the fixed panel only (see figure).

3 GLASS HOLDERS

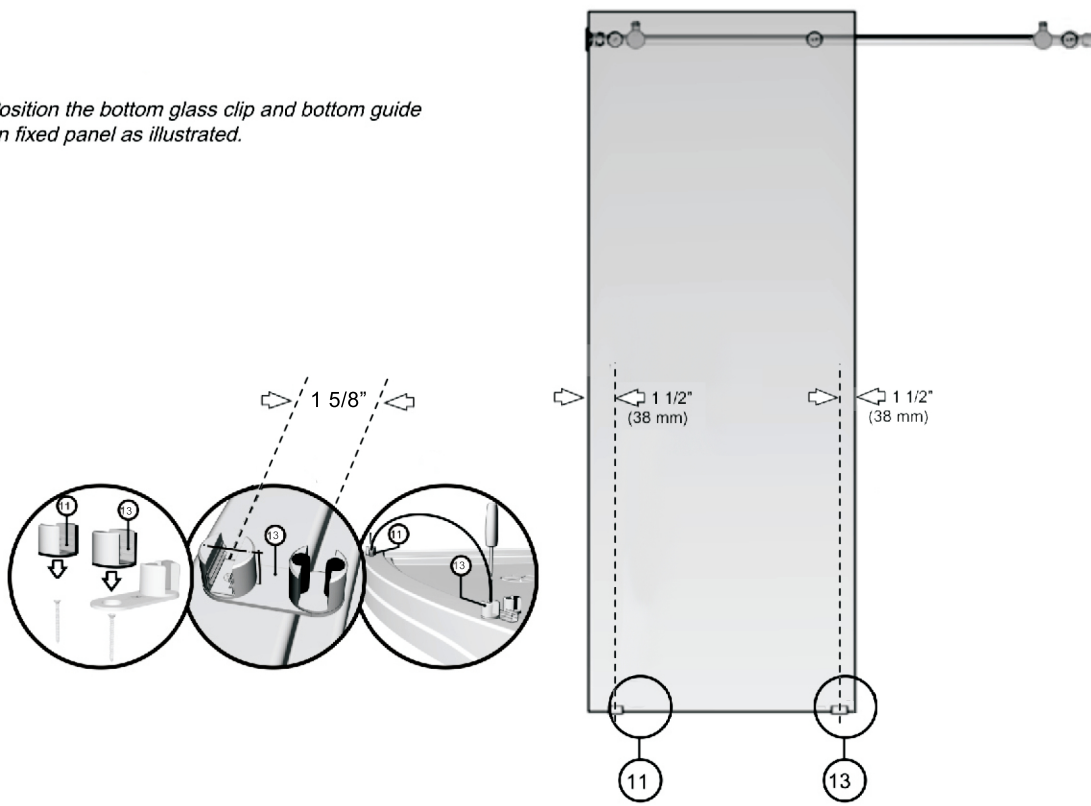
Fasten the running rail (1) to the fixed panel (7) with the glass holders (4). Secure them temporarily in place.

Ensure that the running rail (1) is at the highest possible position in reference to the holes of the fixed panel (7).



4 GLASS CLIPS

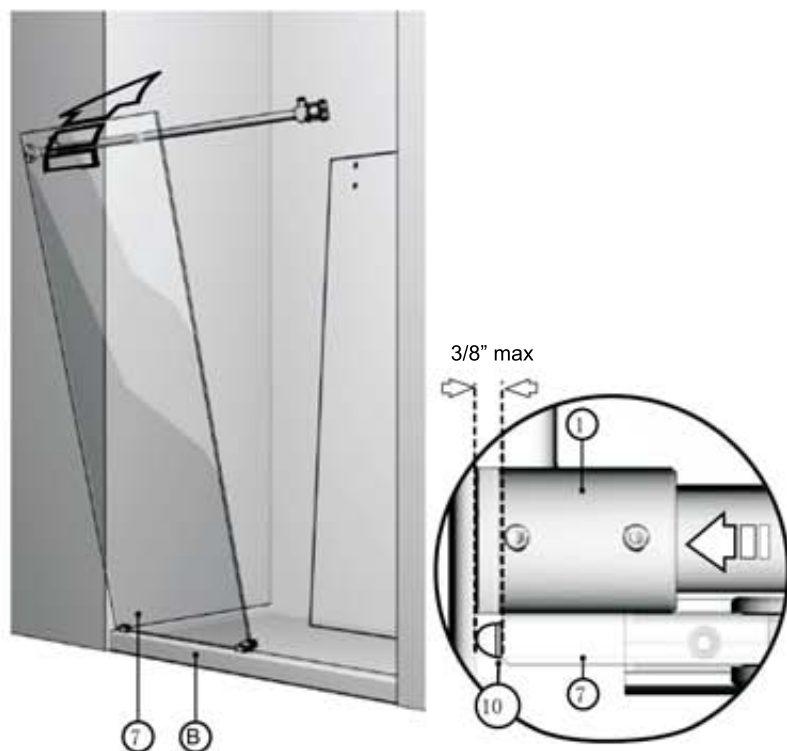
Position the bottom glass clip and bottom guide on fixed panel as illustrated.



5A

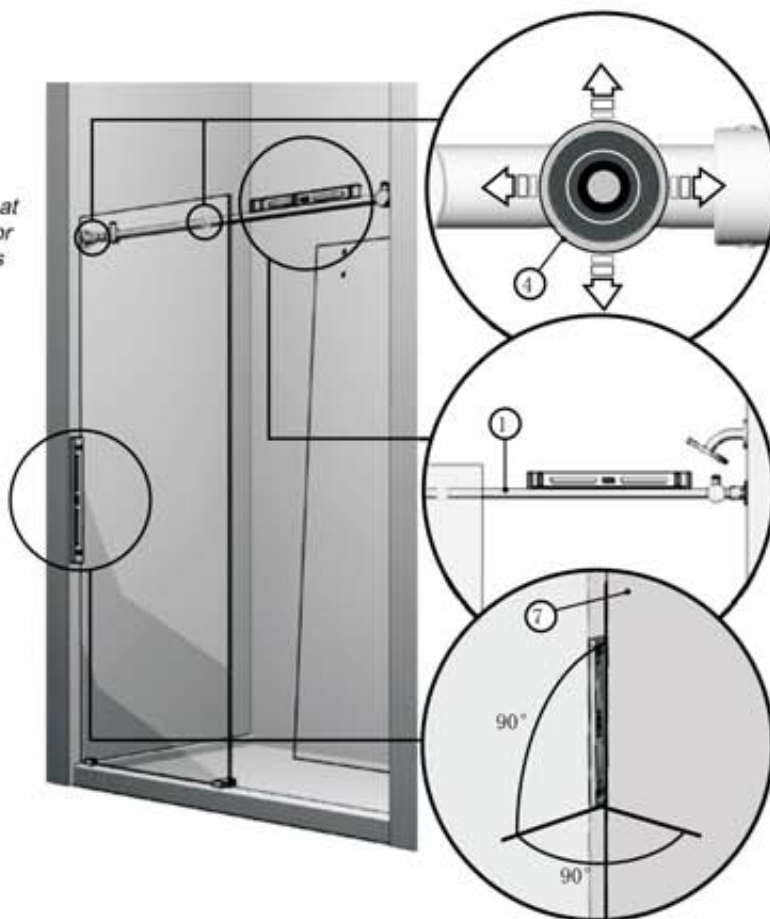
Position the fixed panel assembly (7) on threshold of base (B) as shown .

Adjust the fixed panel (7), by way of the running rail (1), so as to force the gasket (10) against the wall.



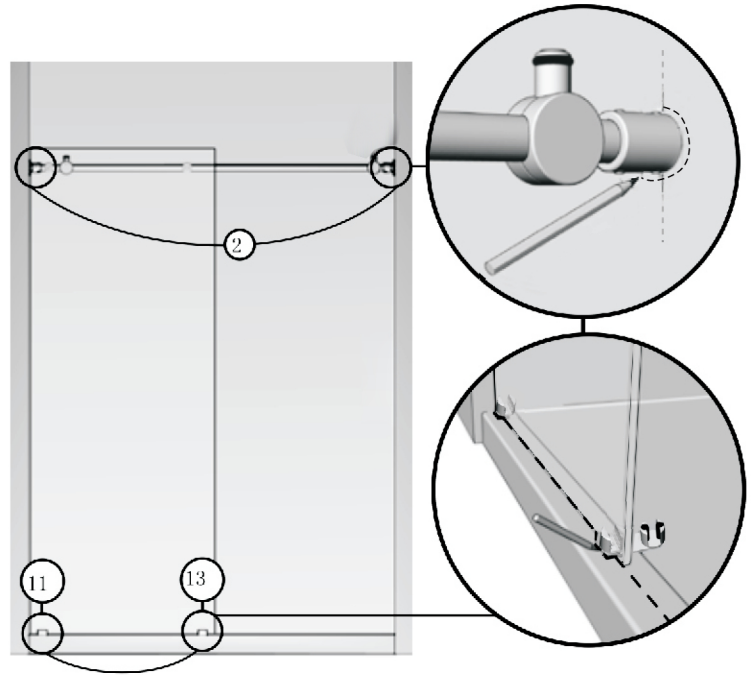
5B

Ensure that the running rail (1) is level and that the fixed panel (7) is square. If a horizontal correction is required, adjust and level the glass fasteners (4).



5C

Mark the screw locations for the wall brackets (2) on the walls on both sides of shower as well as the placement of the bottom glass clips (11) (13).



6A

Secure glass clips (11) (13) with self-drilling screws (19).



7 WALL BRACKETS

7A

Mark the screw locations on the walls on both sides of shower. Remove the running rail (1) from the wall brackets (2). Drill holes in walls until wall stud is reached with a drill bit intended for ceramic tiles.

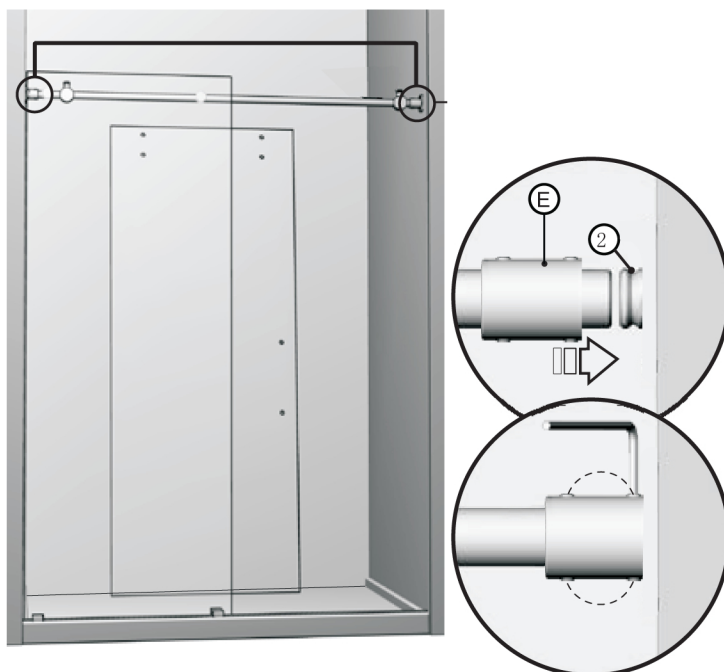
Fasten the wall brackets (2) with #12-3 (18).



7B

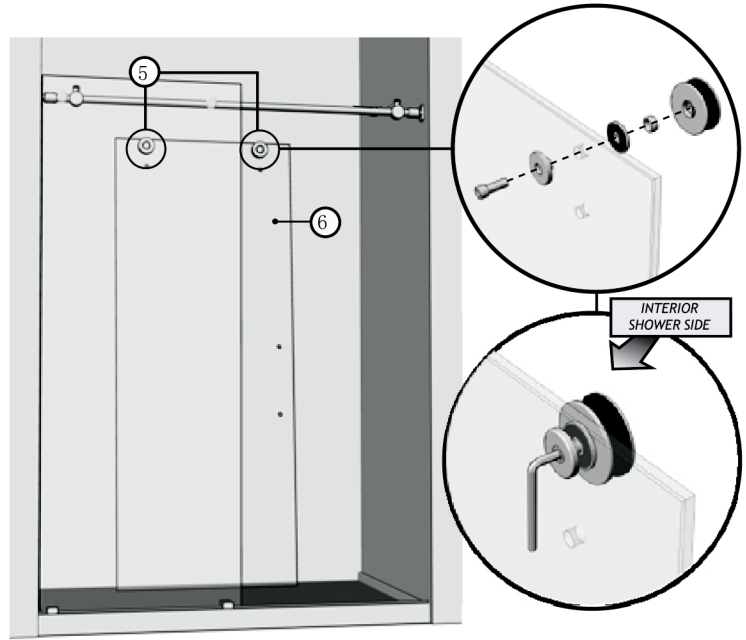
Insert fixed panel (7) back, ensuring that it's placed in the bottom glass clips (11) (13).

Slide expander (E) over wall bracket (2) and fasten set screws



8A

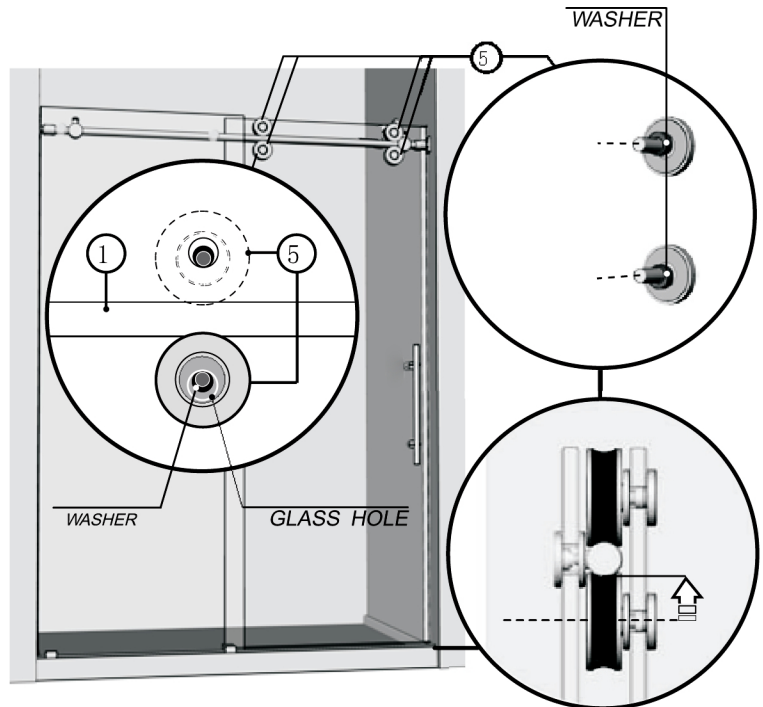
Assemble the 2 top rollers (5) to the door panel (6) as illustrated.



8C

Install bottom rollers, making sure that they are tangent to the running rail (1).

Through the use of the nonconcentric washers, adjust rollers so that the sliding door panel is parallel to the running rail.



12B

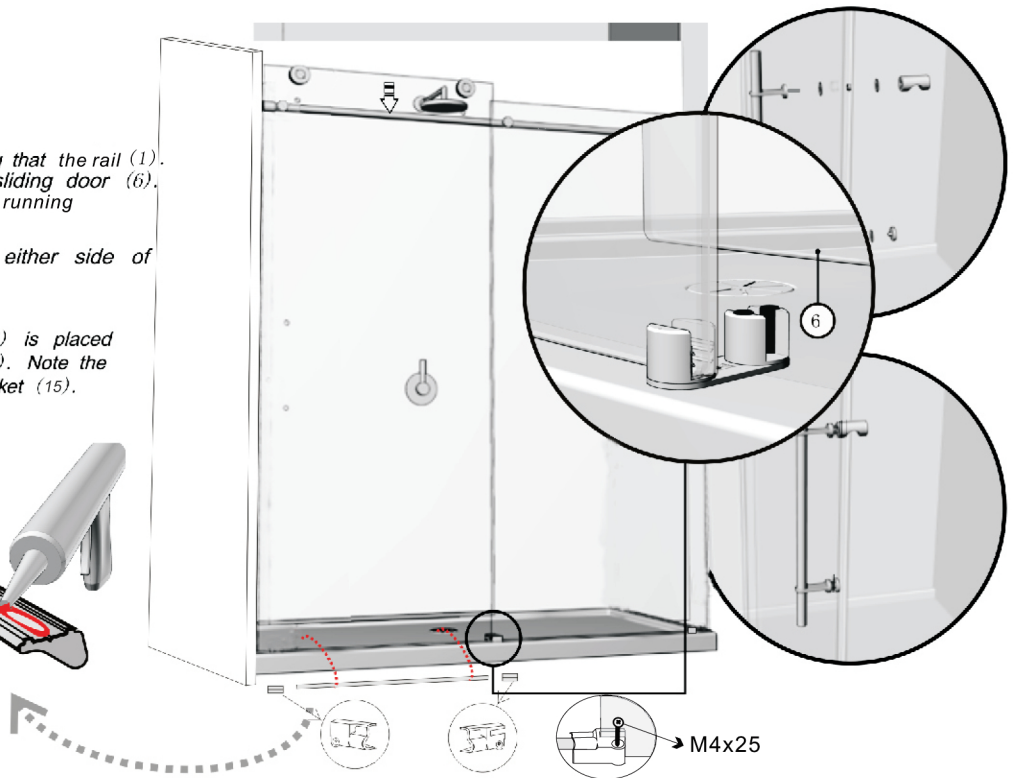
Install door panel (6), ensuring that the rail (1), sliding door (6), rollers (2) are positioned over the running

Ensure that clear washers on either side of glass are installed.

Ensure that the door panel (6) is placed within the bottom center guide (13). Note the placement of the bottom door gasket (15).



Apply silicone to the bottom of threshold plate



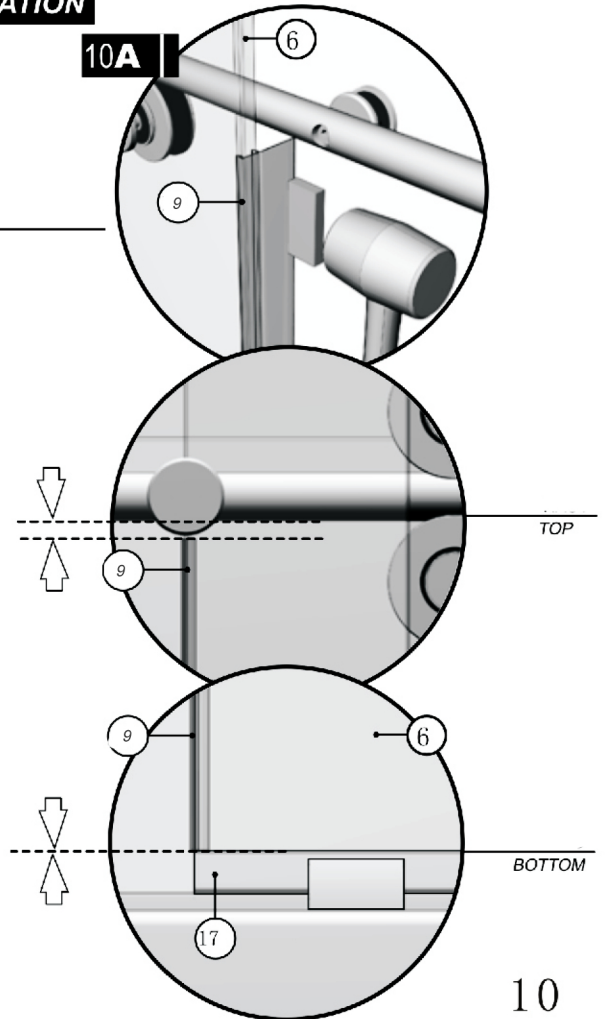
10 INSTALLATION DES JOINT/ GASKETS INSTALLATION

10A

Install door side gasket (9) onto sliding door panel (6).

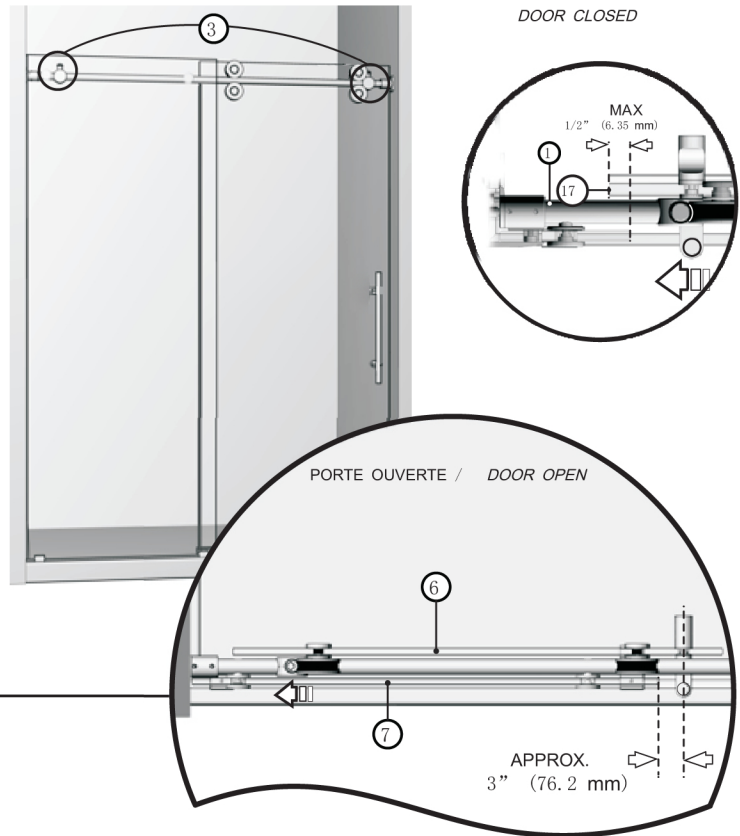


10A



11 STOPPERS

Adjust the position of the stoppers (3) so as to ensure a maximum opening and closing range. Ensure that the sliding door gasket (9) is forced against the wall.



12 SILICONE

Apply silicone between the bottom of the fixed panel and the threshold of the base. Silicone application along the length of the threshold is also suggested. In both cases, it is done from the outside of the shower area.

