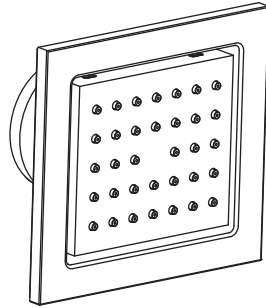
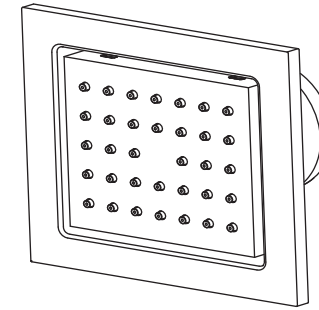


STEP 10

The installation is complete



BODY JET INSTALLATION INSTRUCTIONS

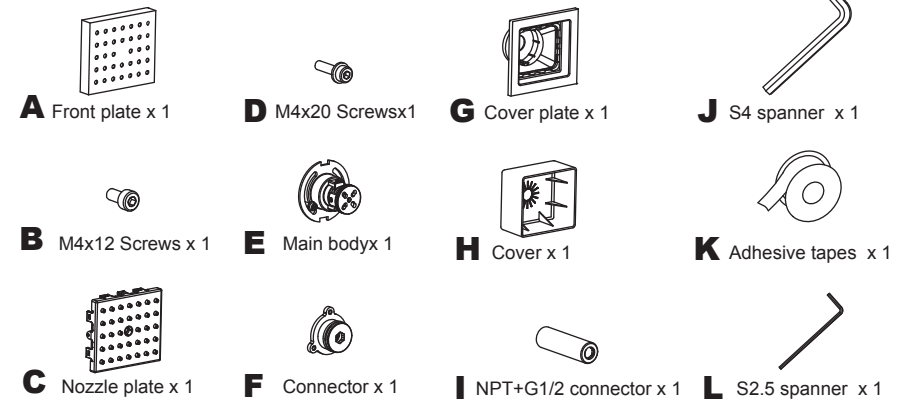


NOTE:

1. Please check the product packaging integrity
2. Please check if the parts are complete when you open the package
3. Please read the installation instructions carefully before you install the body jet
4. Working Conditions:
 - 1). Water Pressure: Max=87 PSI Min=7.25 PSI
 - 2). Water Temperature: 0 to 194 F

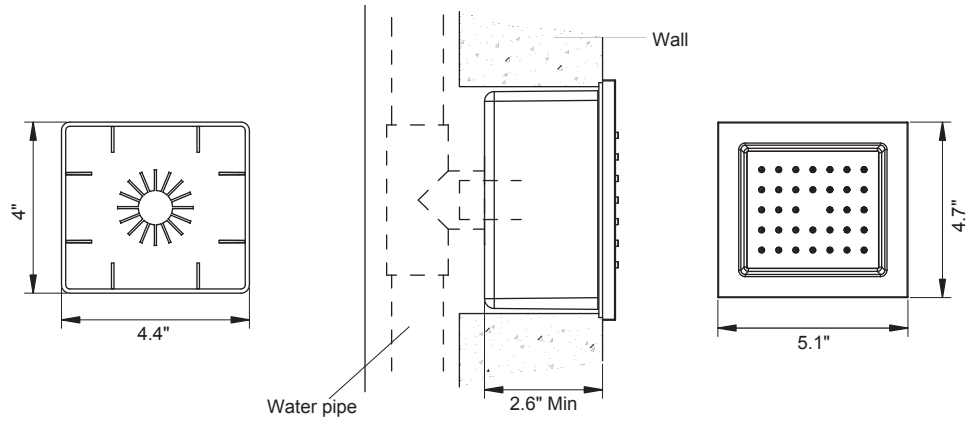
PARTS LIST

Before your installation please make sure you have received the parts indicated below.



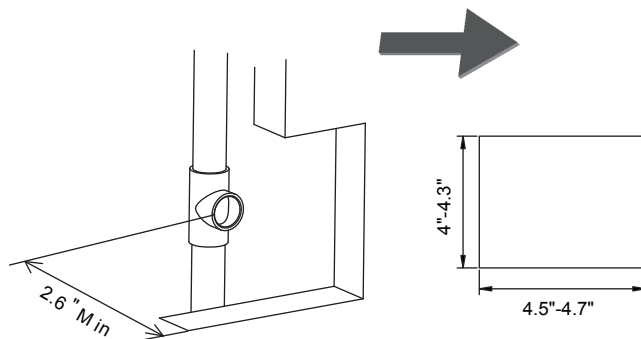
IS8050 Spec sheet

Single handle basin faucet.



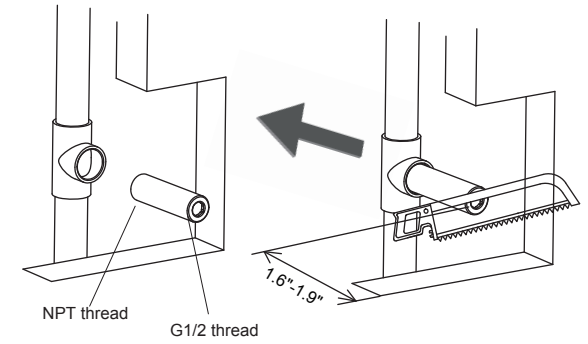
STEP 1

1. Drill a hole (size as below) in the wall



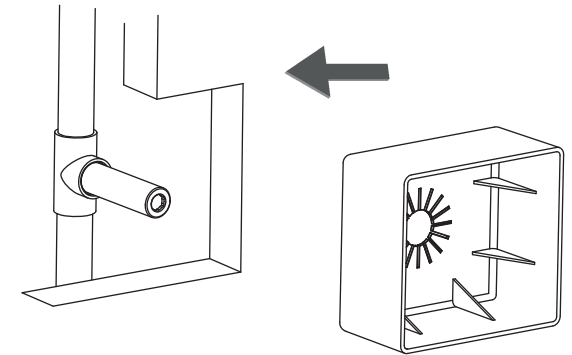
STEP 2

Install the NPT+G1/2 connector as the photos shown



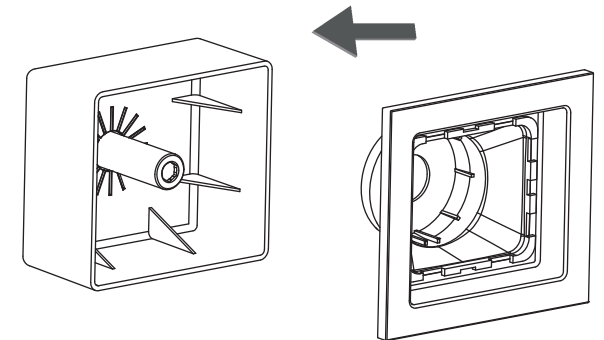
STEP 3

Install the cover as the photos shown



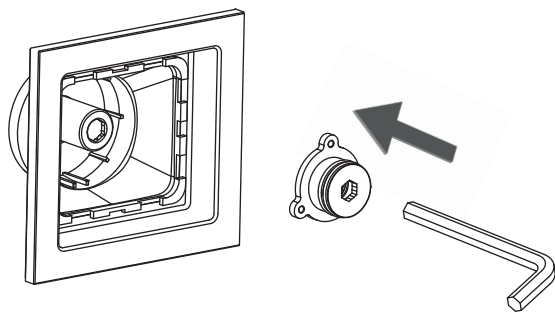
STEP 4

Install the cover plate as the photos shown



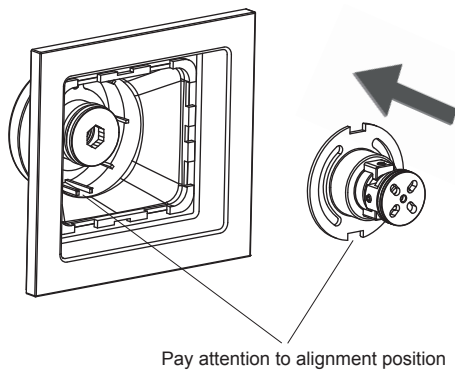
STEP 5

Install the connector as the photos shown



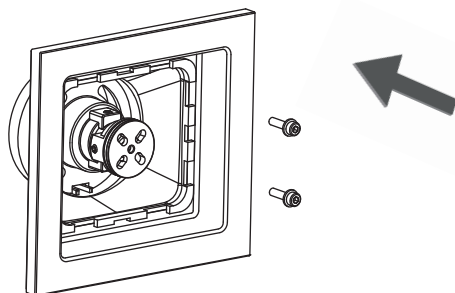
STEP 6

Install the main body as the photos shown



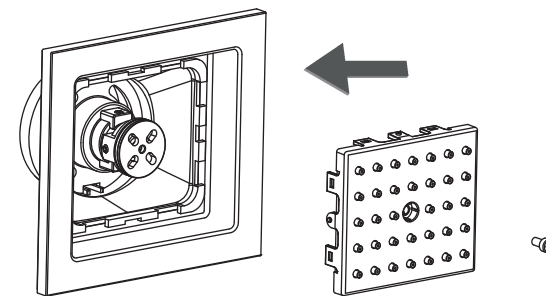
STEP 7

Lock the main body on the connector with the M4x20 Screws



STEP 8

Lock the nozzle plate on the main body with the M4x12 Screws



STEP 9

install the front plate as the photos shown

