

Tools required for installation



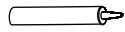
Electric drill



Drill bit
($\Phi 6$)



Tape measure
(3m~5m)



Silicone



Pencil



Screwdriver

Cabinet

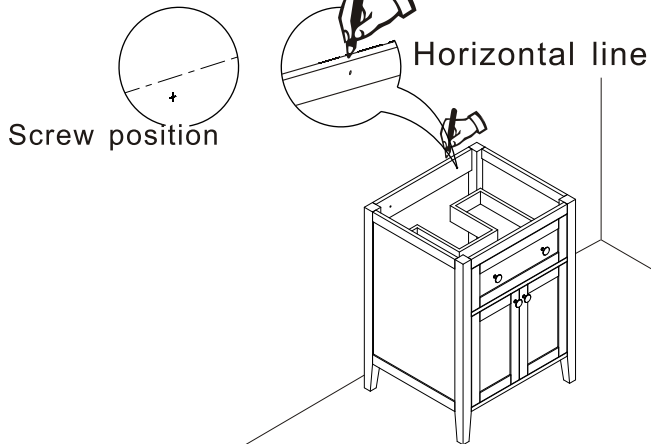


2E

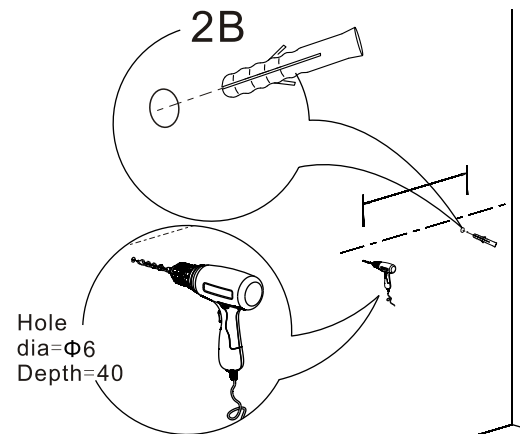


2B

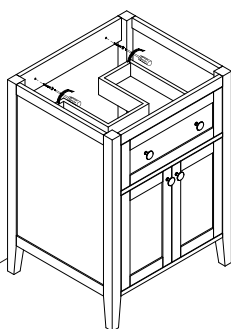
1



2



3



4

