

Tools required for installation



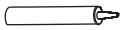
Electric drill



Drill bit
(Φ6)



Tape measure
(3m~5m)



Silicone



Pencil



Screwdriver

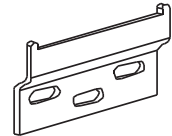
Cabinet



6A



8B

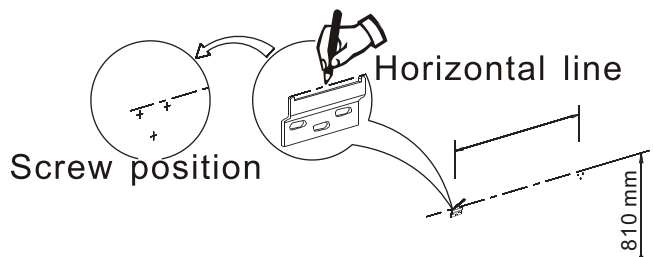


2D

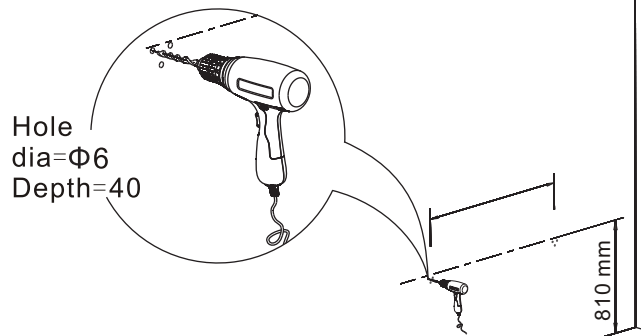


2E

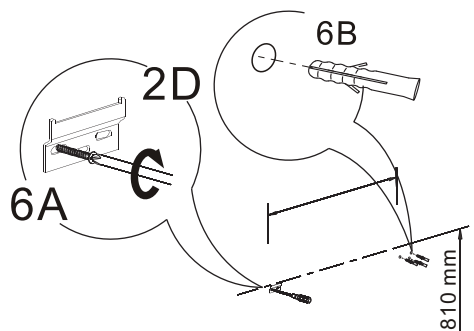
1



2



3



4

