

A x 1 Alfred cabinet



C x 6
Medium
size
screw



D x 4
Long
size
screw



D x 10
Anchors

*(Discard
anchors for
installation in
the USA. Use
wood re-
enforced walls
instead.)*

TOOLS REQUIRED



Phillips
screwdriver



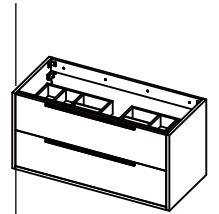
Measuring
tape



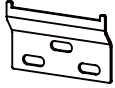
Power drill



Pencil



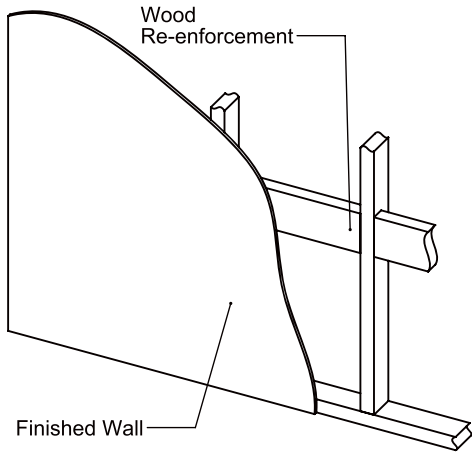
Finished view



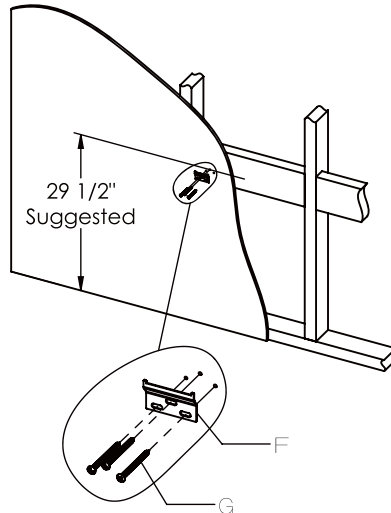
B x 2 Wall bracket

INSTALLATION INSTRUCTIONS IC9049

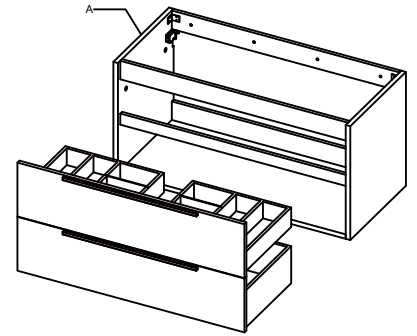
1 Re-enforce the wall using a sheet of plywood or 2" by 6" wood beams.



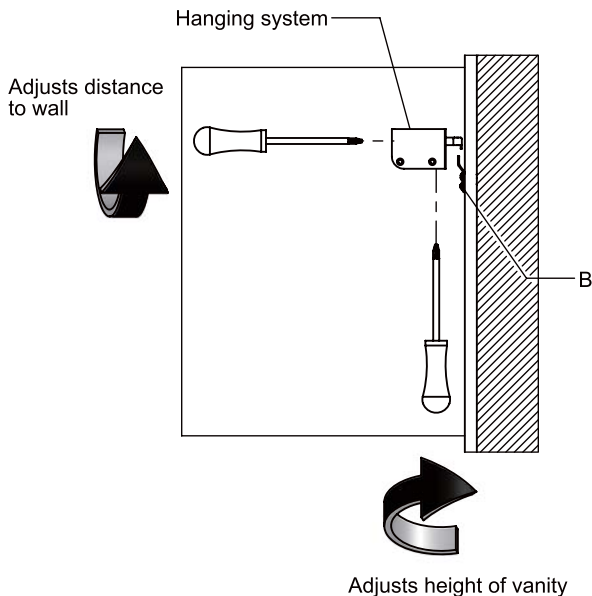
2 Measuring for the desired height, secure all four wall brackets (B) to the wall. Make sure that screws (C) go into the re-enforced area of the wall. 29.5" to the top screw is the recommended height.



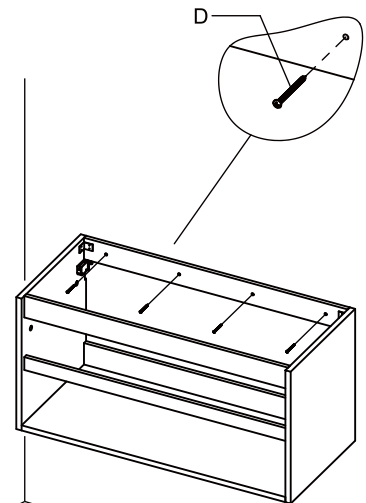
3 Remove drawer from **ALFRED** cabinet (A). See drawer removal below.



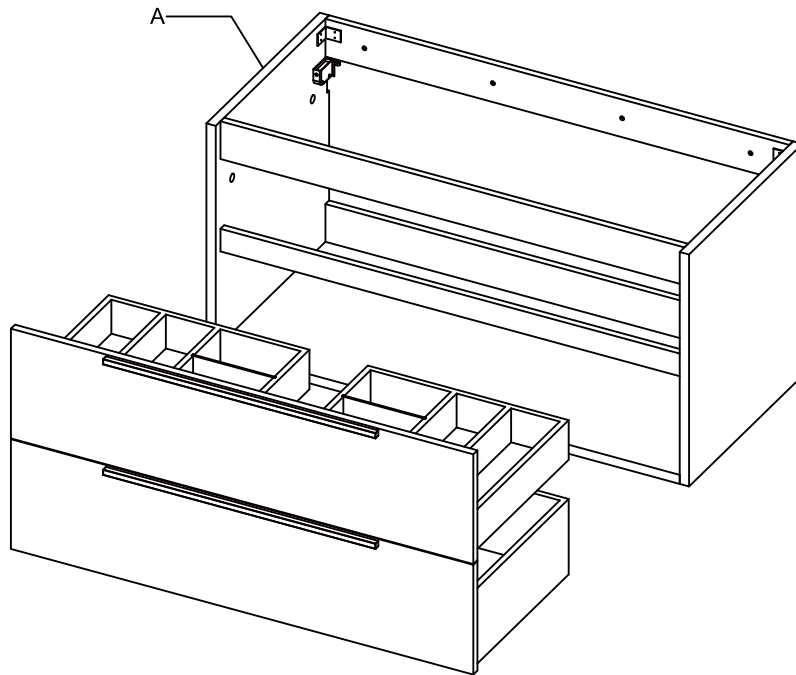
4 Hang cabinet (A) onto wall brackets (B) and adjust hanging system as shown below.



5 Secure cabinet (A) to the wall using long screws (D). Make sure to drive screws (D) into re-enforced area of the wall.

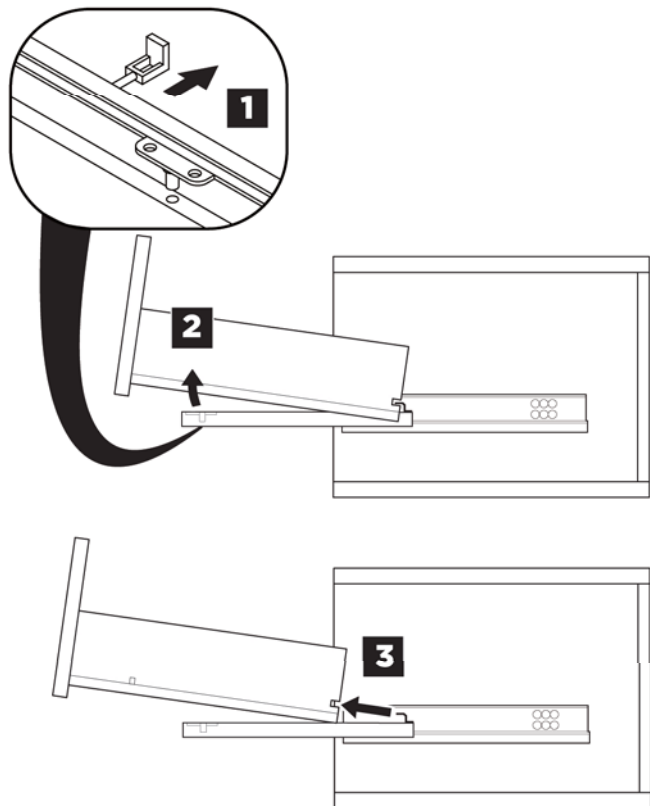


6



DRAWER REMOVAL AND INSTALLATION

REMOVAL



INSTALLATION

