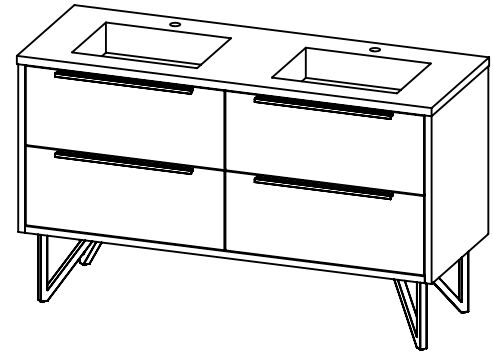


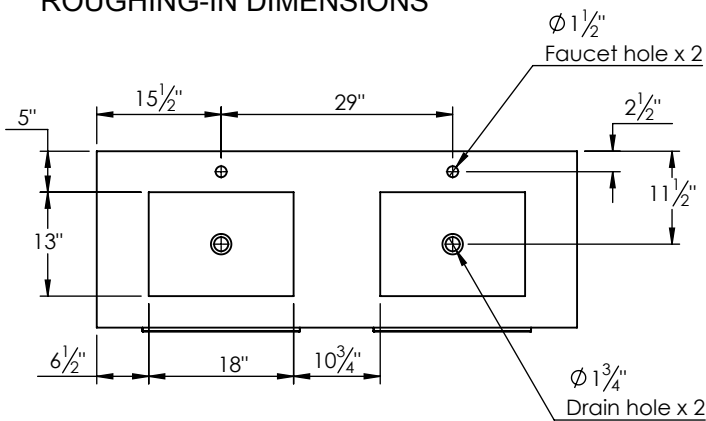
SPEC SHEET

PRODUCT DESCRIPTION

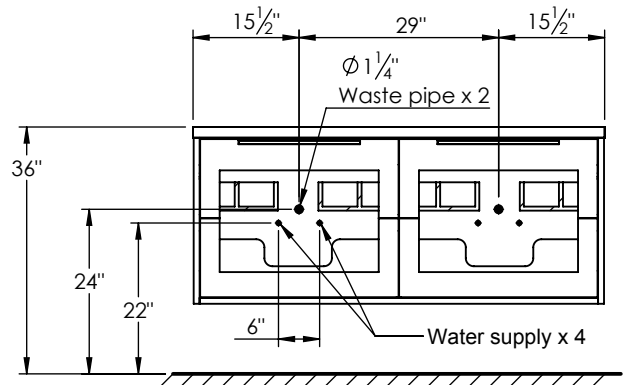
- PARKER 60 Double Basin with Integrated Solid Surface counter top
- Wall mount cabinet with BLUM mounting hardware
- Cabinet is available in Matte White, Rock gray, Natural Walnut, and Black Elm
- Hardwood plywood construction
- Soft close and full extension drawers
- Aluminum hardware available in matt black, brushed nickel, polished chrome, and brushed gold finish
- Solid Surface counter top with integrated basins in Matte White (with overflow system)
- Solid Surface material is 38% polyester resin and 60% aluminum hydroxide powder
- Basin depth is 4 1/2"
- V shaped legs available in matt black, brushed nickel, polished chrome, and brushed gold finish



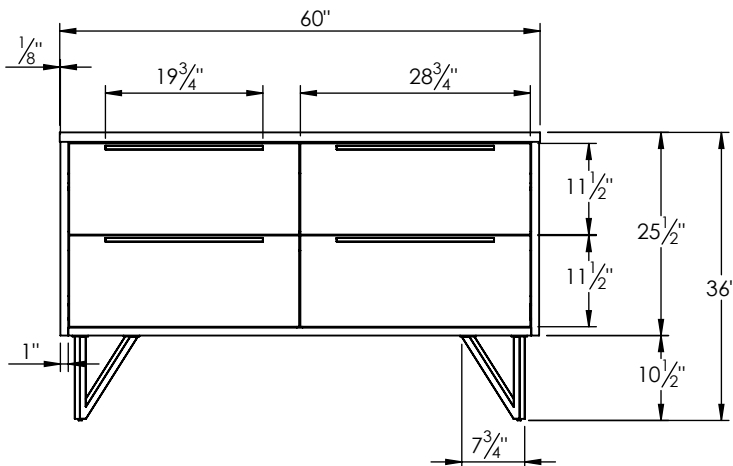
ROUGHING-IN DIMENSIONS



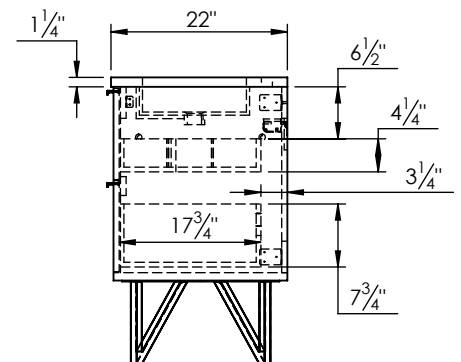
TOP VIEW



ROUGH PLUMBING



FRONT VIEW



SIDE VIEW