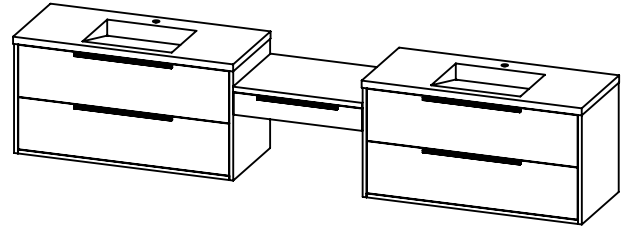


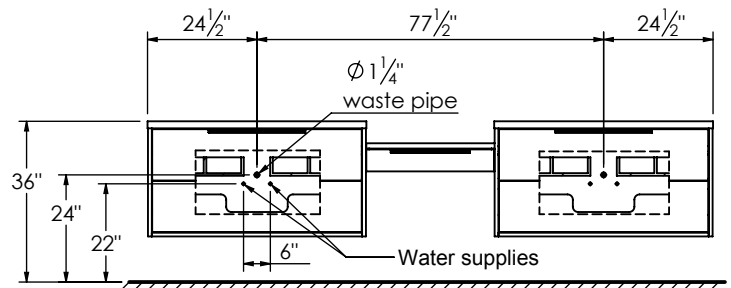
SPEC SHEET

PRODUCT DESCRIPTION

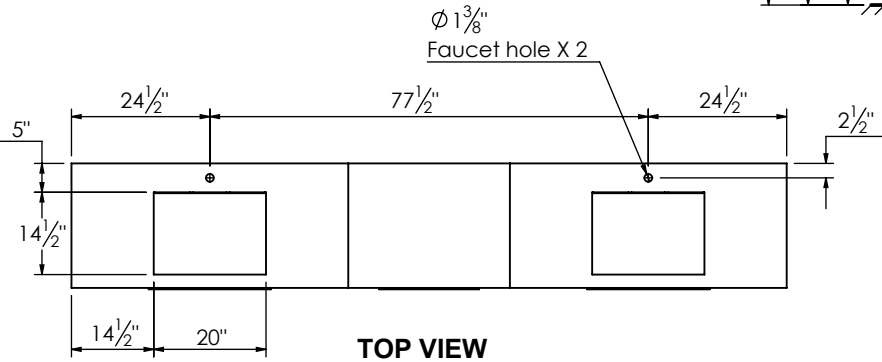
- PARKER 127 Modular Double Basin with Infinity Solid Surface counter top
- Wall mount cabinet with BLUM mounting hardware
- Cabinet available in Matte White, Rock Grey, Natural Walnut, Brushed White Oak, and Black Elm
- Hardwood plywood construction with laquer paint, or natural wood veneer
- Soft close and full extension drawers
- Aluminum handles available in Polish Chrome, Brushed Nickel, Matte Black, or Brushed Gold
- Solid Surface counter top with integrated basins and infinity drains in Matt White
- Drain assembly and 10" drain tail included
- Solid Surface material is 38% polyester resin and 60% aluminum hydroxide powder
- Basin depth is 3 1/2"



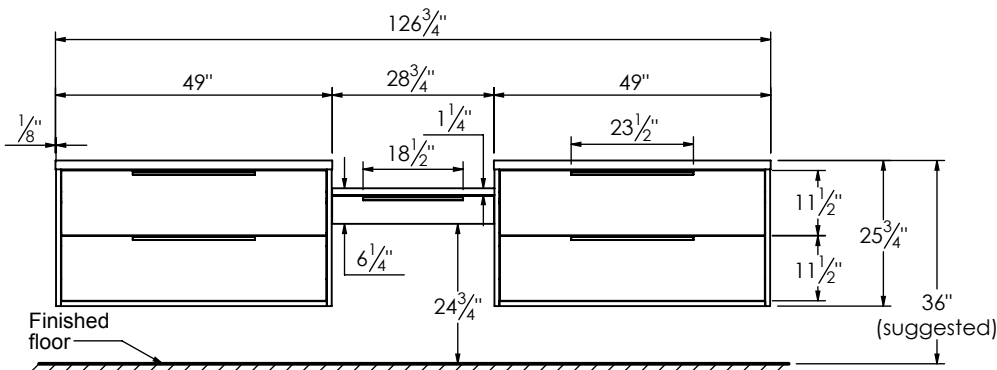
ROUGHING-IN DIMENSIONS



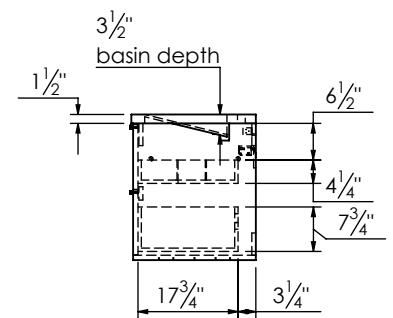
ROUGH PLUMBING



TOP VIEW



FRONT VIEW



SIDE VIEW