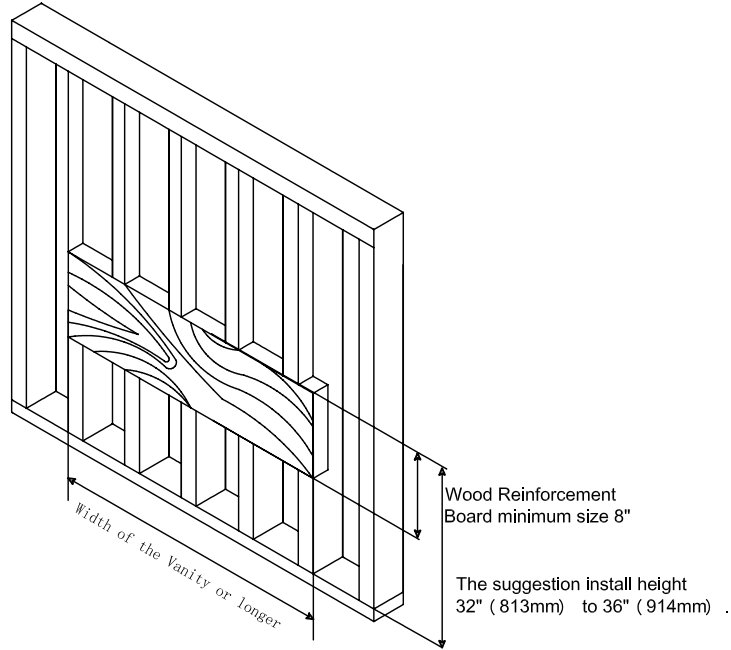


# Instruction and Care Guide

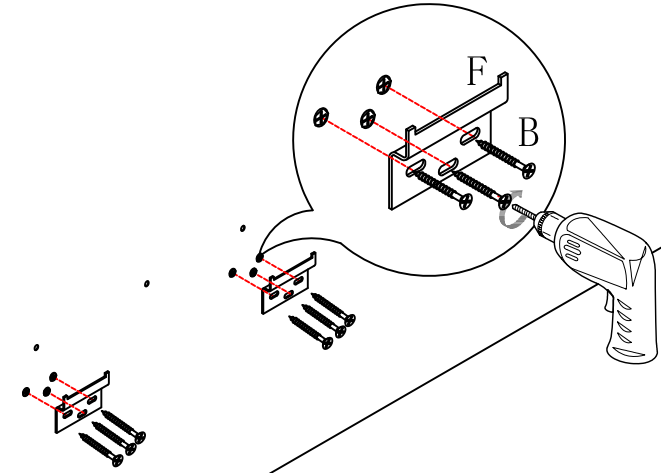


## Wall blocking is required for all installation

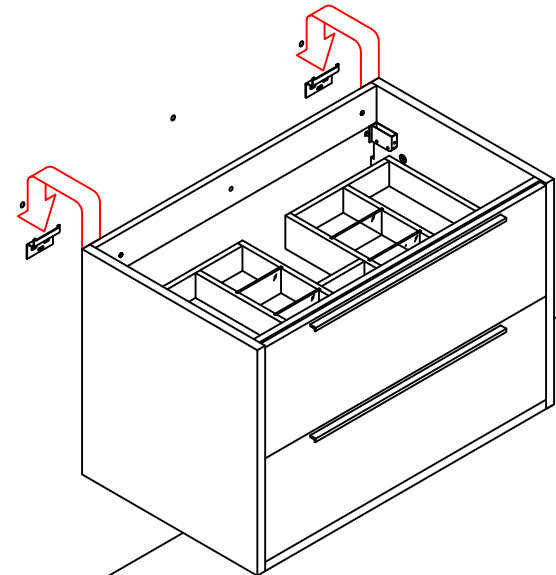
The typical dimensions shown will result in vanity cabinet height of 34-1/4" (870mm) .  
 Depending on the sinks selected, the total height will vary from 35" (890mm) 37-3/8 (950mm) .  
 If an alternate height is desired, adjust the rough-in and backing material heights using the dimensions provided.



## Step 1



## Step 2

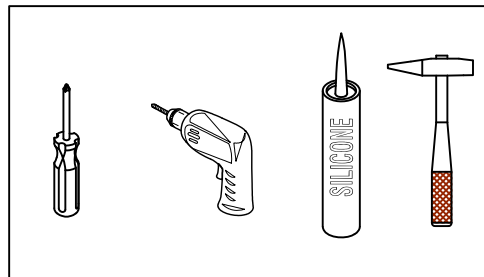


ITEM NO.: IC9537

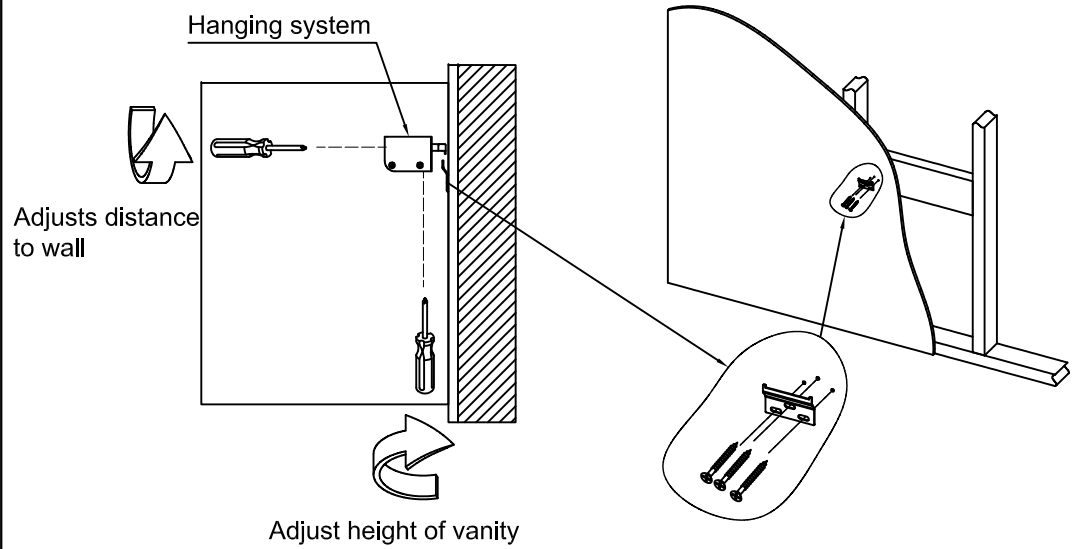
## Hardware

| NO. | Draw | QTY |
|-----|------|-----|
| A   |      | 6   |
| B   |      | 6   |
| C   |      | 3   |
| D   |      | 3   |
| E   |      | 3   |
| F   |      | 2   |

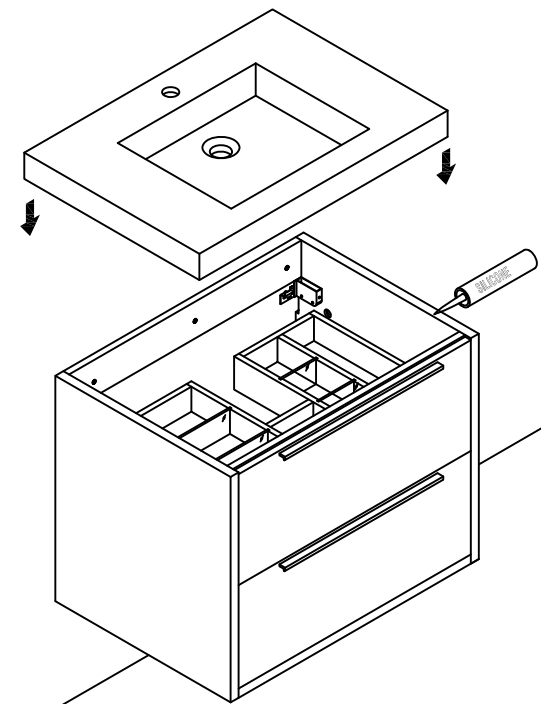
## Tools



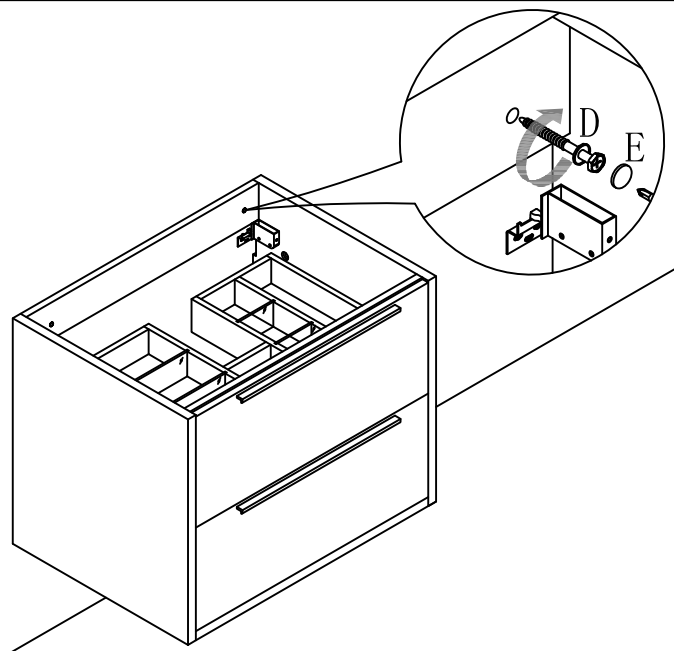
Step 3



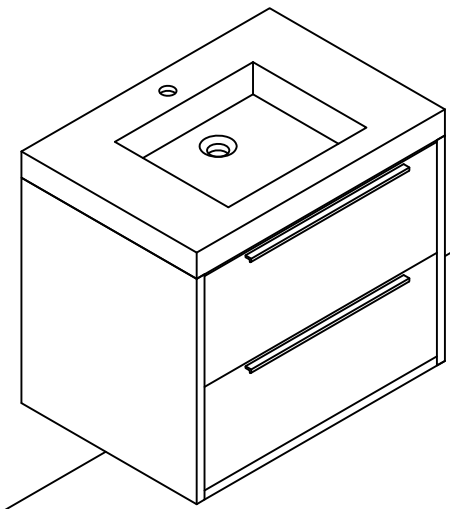
Step 5



Step 4

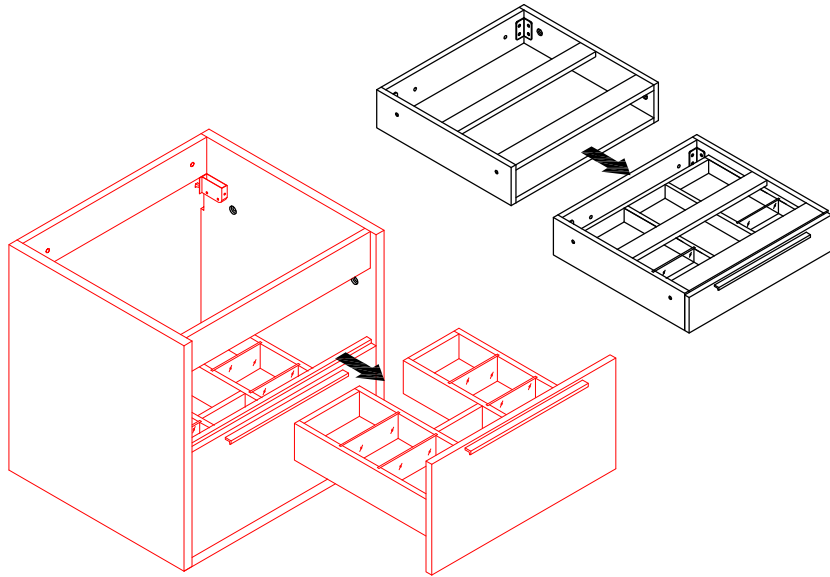


Finished

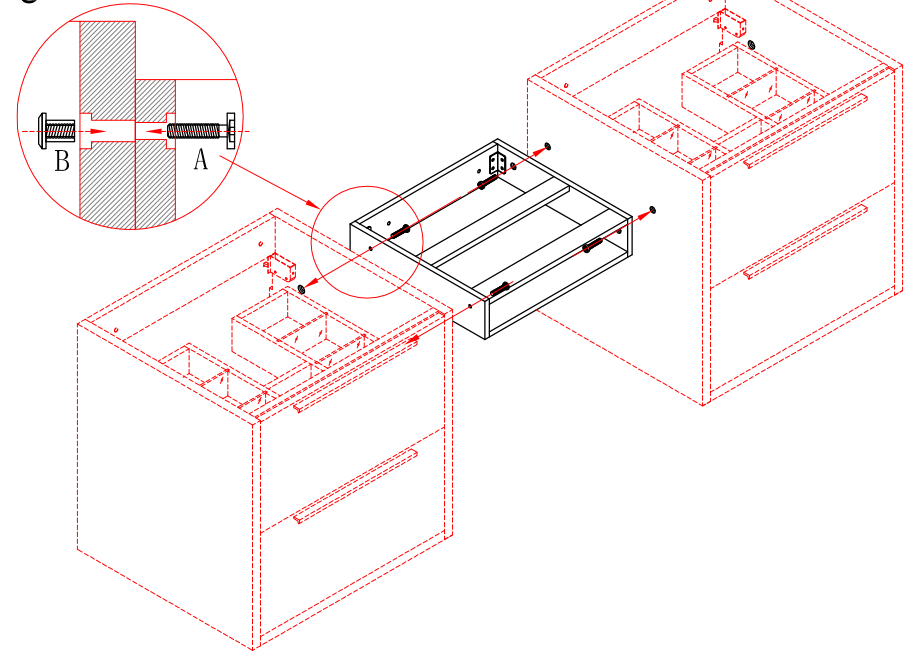


# INSTALLATION INSTRUCTIONS OF COMBINED CABINET

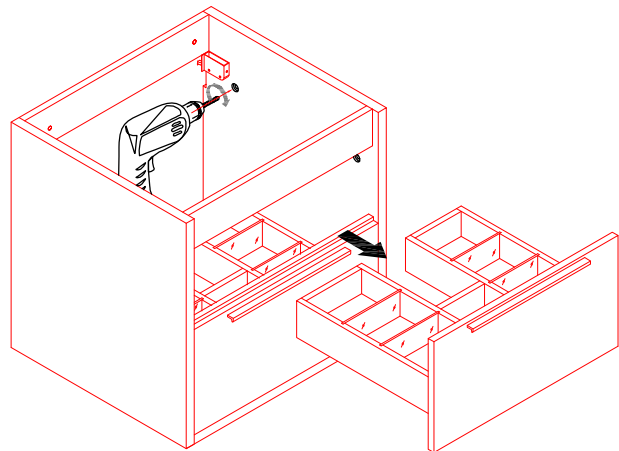
1. Remove drawer from Parker vanity . See drawer removal below. ( Parker vanity sold separately.)



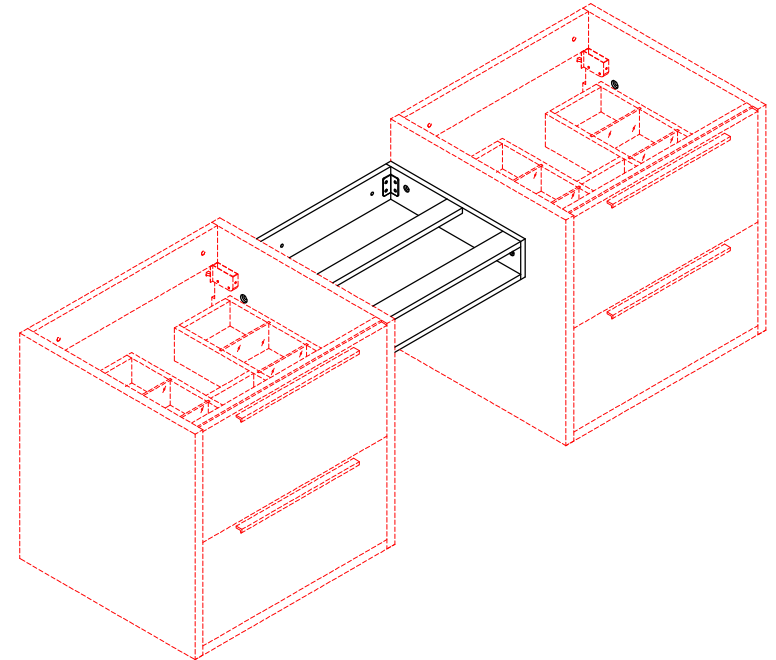
3. As shown in the figure below, connect to the dresser by screwing the screw A into IC9523/IC9529 .



2. Finish drilling the pre-drilled holes in vanity. Make sure to drill only the side that will connect to bridge,



Finished

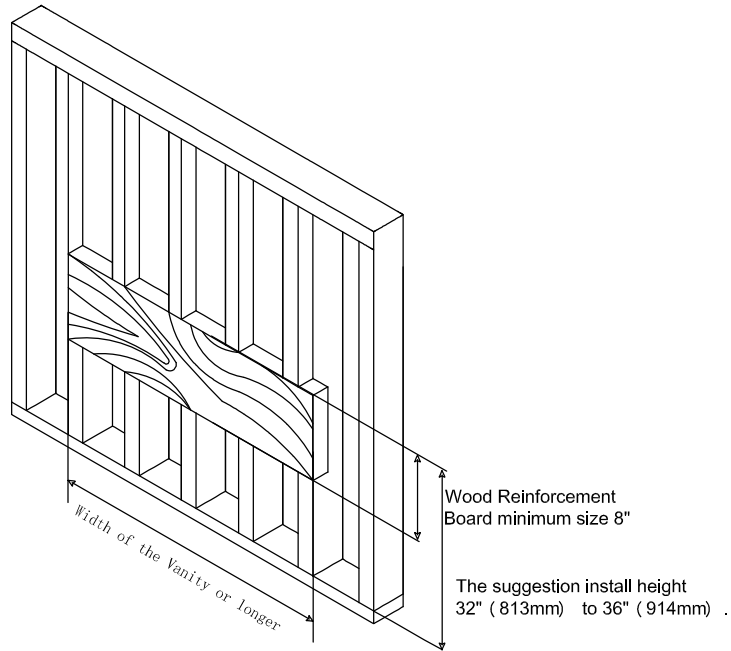


# Instruction and Care Guide



## Wall blocking is required for all installation

The typical dimensions shown will result in vanity cabinet height of 3 4-1/4" ( 870mm) .  
Depending on the sinks selected,the total height will vary from 3 5" ( 890mm) 37-3/8 ( 950mm) .  
If an alternate height is desired,adjust the rough-in and backing material heights using the dimensions provided.



Wood Reinforcement Board minimum size 8"

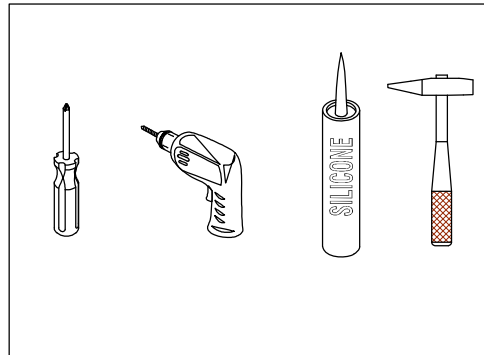
The suggestion install height 32" ( 813mm) to 36" ( 914mm) .

ITEM NO.: IC9523/IC9529

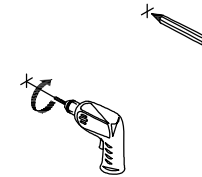
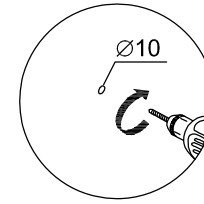
## Hardware

| NO. | Draw       | QTY |
|-----|------------|-----|
| A   | ( M6*25mm) | 4   |
| B   |            | 4   |
| C   |            | 1   |
| D   |            | 2   |
| E   |            | 2   |
| F   |            | 2   |

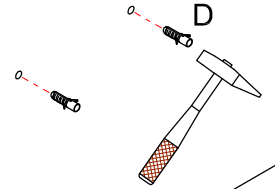
## Tools



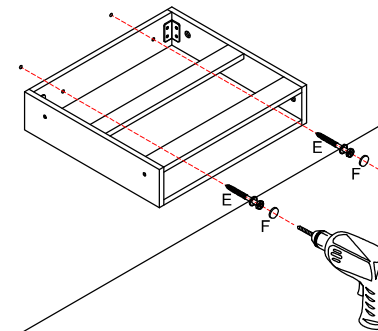
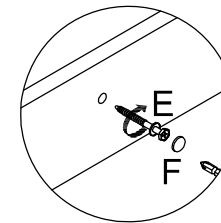
## Step 1



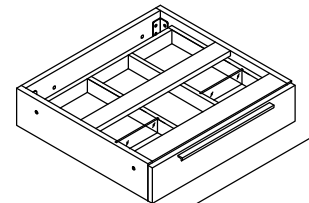
## Step 2



## Step 3



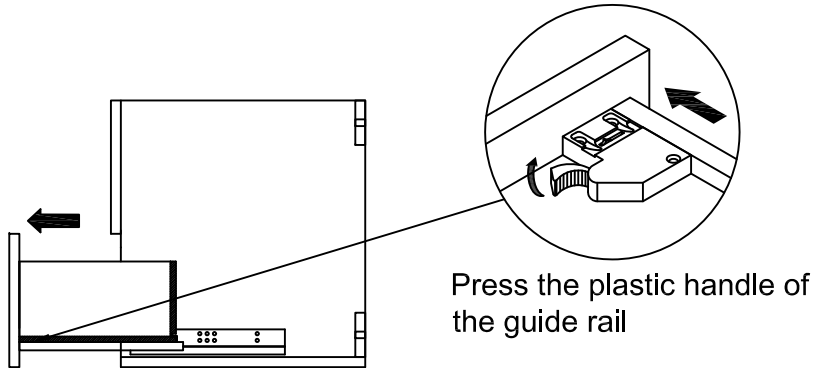
## Finished



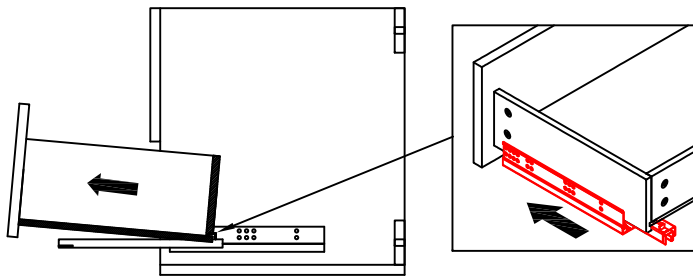
# DRAWER REMOVAL & INSTALLATION

## REMOVAL

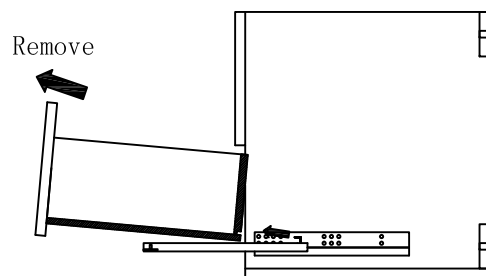
1. Pull the drawer to find the lower rail accessories.



2. Pull the drawer out of the rear hook of the guide rail.

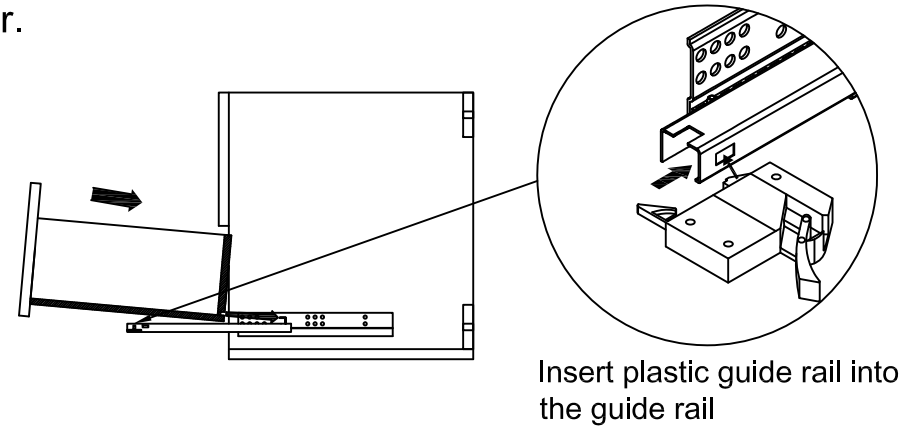


3. Finally pull out the drawer.

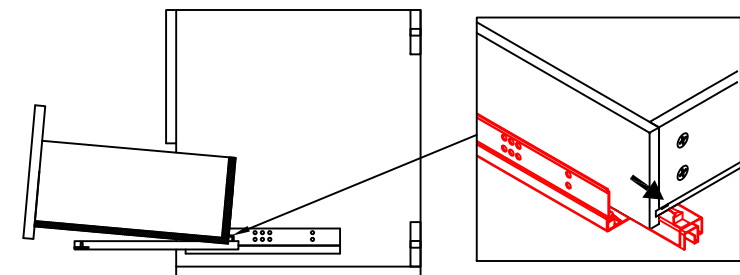


## INSTALLTION

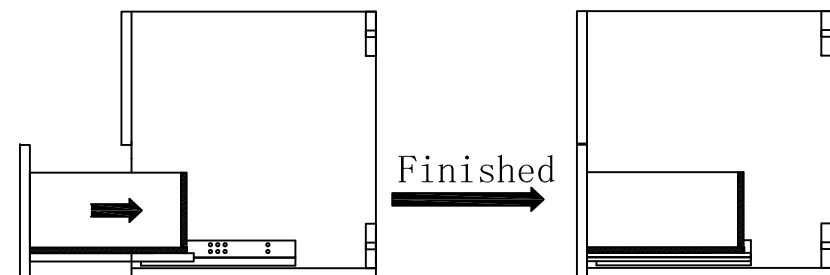
1. Pull the drawer rail, rail socket holes at the back of the drawer.



2. Align the drawer rear hole with the rear hook of the guide rail.



3. Push the drawer.





INOLAV takes great pride in the durability of its products, using materials and finishes designed to endure day-to-day use, and withstand the ever-changing humidity and temperature levels of bathroom environments. We recommend the following care instructions for your new furniture:

1) Only cleaning products specifically designed for furniture should be used, such as Pledge (we highly recommend Pledge Multisurface Cleaner) .

;

2) Soft cleaning products such as microfiber clothes may be used, but harsh or abrasive materials will damage the surface finish or remove the sealants. No bleach -or ammonia-based products should be used.

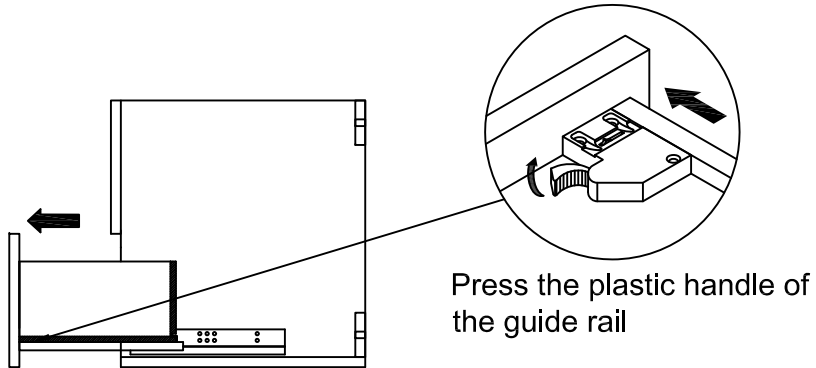
;

For questions, please call our customer service center at 1-855 472 4304.

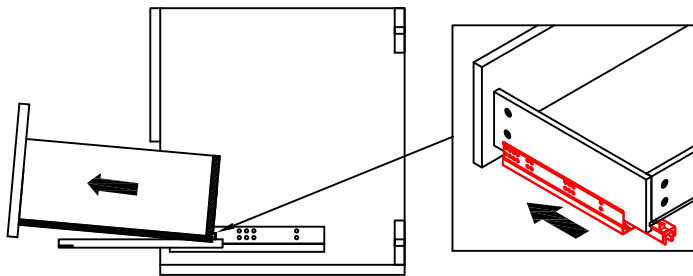
# DRAWER REMOVAL & INSTALLATION

## REMOVAL

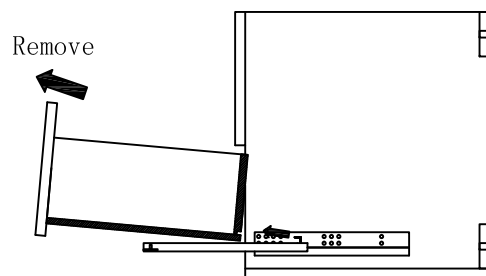
1. Pull the drawer to find the lower rail accessories.



2. Pull the drawer out of the rear hook of the guide rail.

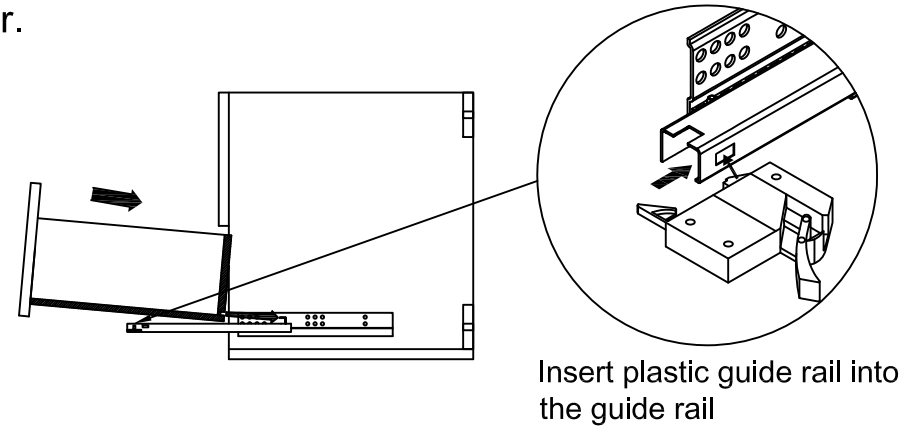


3. Finally pull out the drawer.

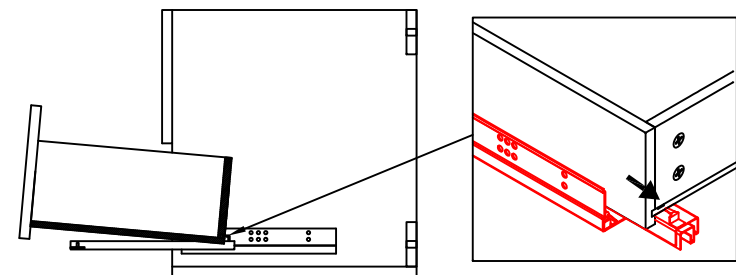


## INSTALLTION

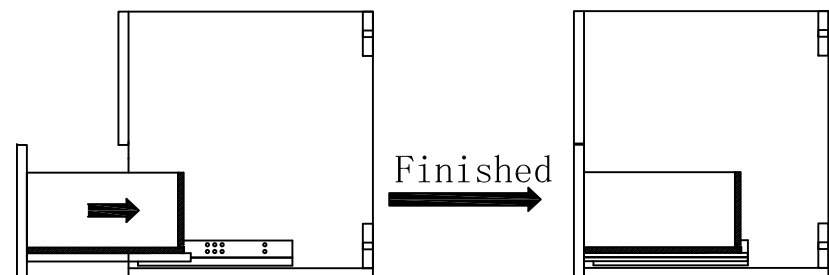
1. Pull the drawer rail, rail socket holes at the back of the drawer.



2. Align the drawer rear hole with the rear hook of the guide rail.



3. Push the drawer.





INOLAV takes great pride in the durability of its products, using materials and finishes designed to endure day-to-day use, and withstand the ever-changing humidity and temperature levels of bathroom environments. We recommend the following care instructions for your new furniture:

1) Only cleaning products specifically designed for furniture should be used, such as Pledge (we highly recommend Pledge Multisurface Cleaner) .

;

2) Soft cleaning products such as microfiber clothes may be used, but harsh or abrasive materials will damage the surface finish or remove the sealants. No bleach -or ammonia-based products should be used.

;

For questions, please call our customer service center at 1-855 472 4304.