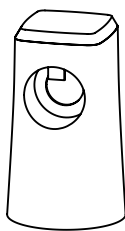


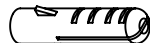
A x 1  
Top Support



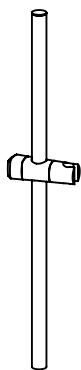
B x 1  
Bottom Support



C x 2 Wall screw



D x 2 Anchors



E x 1  
Bar w/ holder

### TOOLS REQUIRED



Phillips  
screwdriver



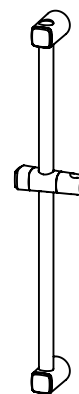
Measuring  
tape



Power drill



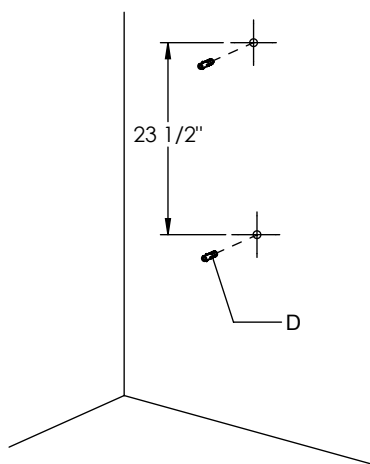
Pencil



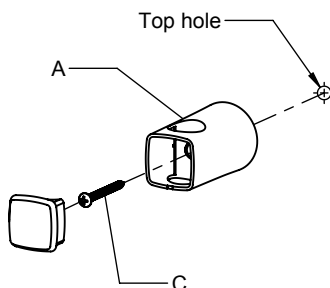
IS7050  
Finished view

## INSTALLATION INSTRUCTIONS

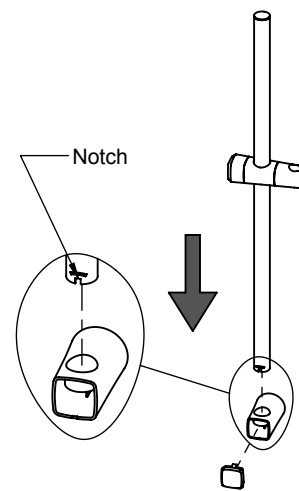
**1** Figure out the desired placement of the Sliding Bar IS7050 within your shower. Mark the two holes for the installation of bar supports (A, B) at 23.5" apart. Drill and install anchors (D) into the wall.



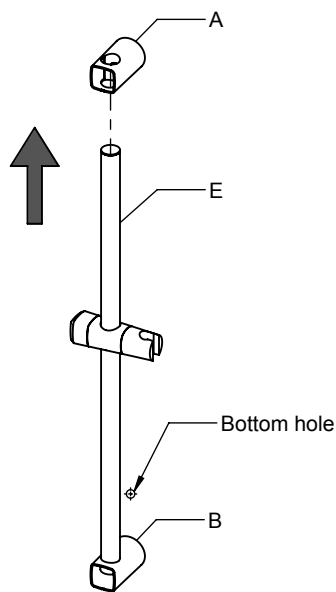
**2** Pry open the front cover of Top Support (A) and install onto the wall using wall screw (C). For this step use the top marked hole from previous step.



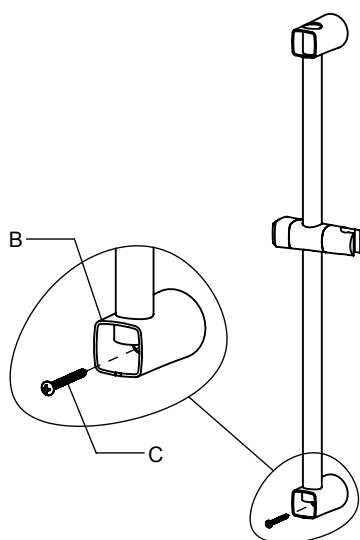
**3** Pry open the front cover of Bottom Support (B). Insert bar (E) into the hole of Support (B). Align the notch in bar (E) with square guide of support (B) as shown in the figure below.



**4** Insert bar (E) into the hole of Top Support (A) and align Bottom Support (B) with the bottom marked hole from previous step.



**5** Install Bottom Support (B) onto the wall using wall screw (C).



**6** Insert back the front covers into Top and Bottom Supports (A, B).

