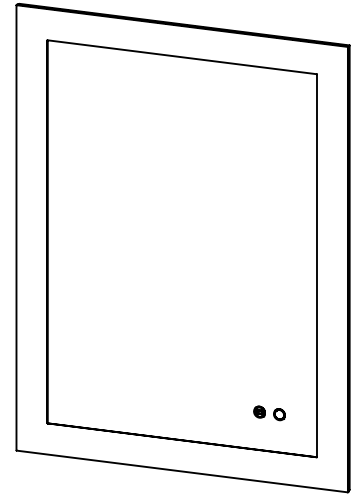


SPEC SHEET

PRODUCT DESCRIPTION

- Lighted (LED strip) mirror with frosted edge
- Plexiglass backing frame allows for LED light on both front and back of mirror.
- 3 color light switch + dimming function
- Antifog function
- 5mm thick high quality copper free mirror
- Hard-wired electrical installation
- Connection to a light switch is optional (not intended for use with dimmers)
- LED intensity is 55 foot candle (600 lux) at standard user distance
- LED life is 50,000 hours
- Features 3000K, 5000K, and 7000K color temperatures
- CRI 80+
- Two year manufacturer warranty
- Solid Aluminum + plexiglass frame
- UL and IP44 rated and certified (LED, drivers, and switches)
- Aluminum french cleat mounting system allows for horizontal or vertical installation

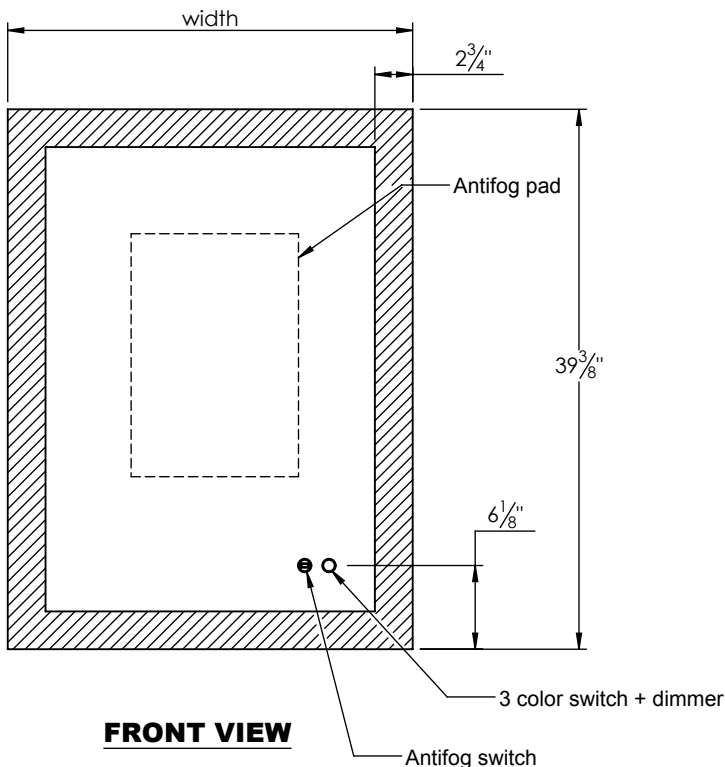


ROUGHING-IN DIMENSIONS

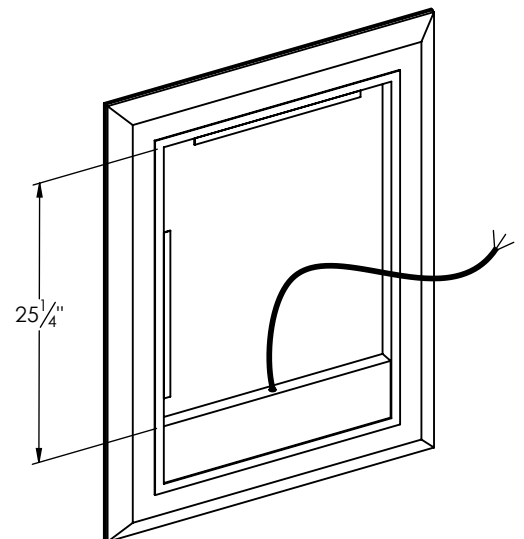


TOP VIEW

Model #	Width	Total Wattage
IM6824-10	23 3/4"	75 W
IM6830-10	29 1/2"	85 W
IM6836-10	35 1/2"	95 W
IM6848-10	47 1/4"	115 W
IM6860-10	59 1/4"	145 W



FRONT VIEW



REAR VIEW

*Only for Models purchased after February 2021