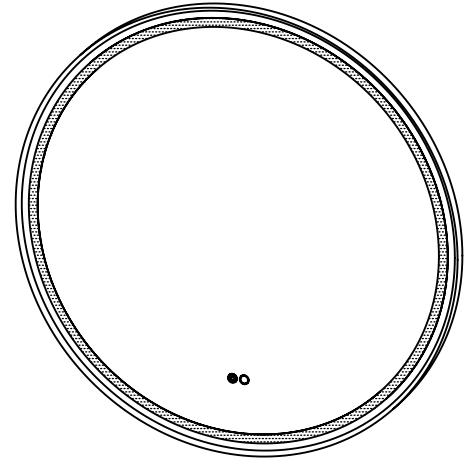


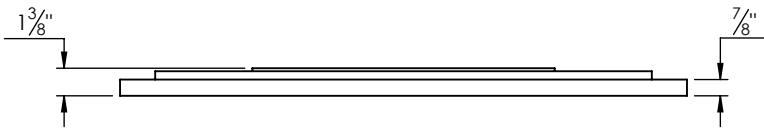
SPEC SHEET

PRODUCT DESCRIPTION

- Lighted (LED strip) mirror with aluminum metal frame
- Available in Matte Black finish
- Sandblasted light channel allows front light
- Multi-layer design allows Backlight
- 3 color light switch + dimming function
- Antifog function
- 5mm thick high quality copper free mirror
- Hard-wired electrical installation
- Connection to a light switch is optional (not intended for use with dimmers)
- LED intensity is 44 foot candle (480 lux) at standard user distance
- LED life is 50,000 hours
- Features 3000K, 5000K, and 7000K color temperatures
- CRI 80+
- Two year manufacturer warranty
- ETL and IP44 rated and certified (LED, drivers, and switches)
- Aluminum french cleat mounting system

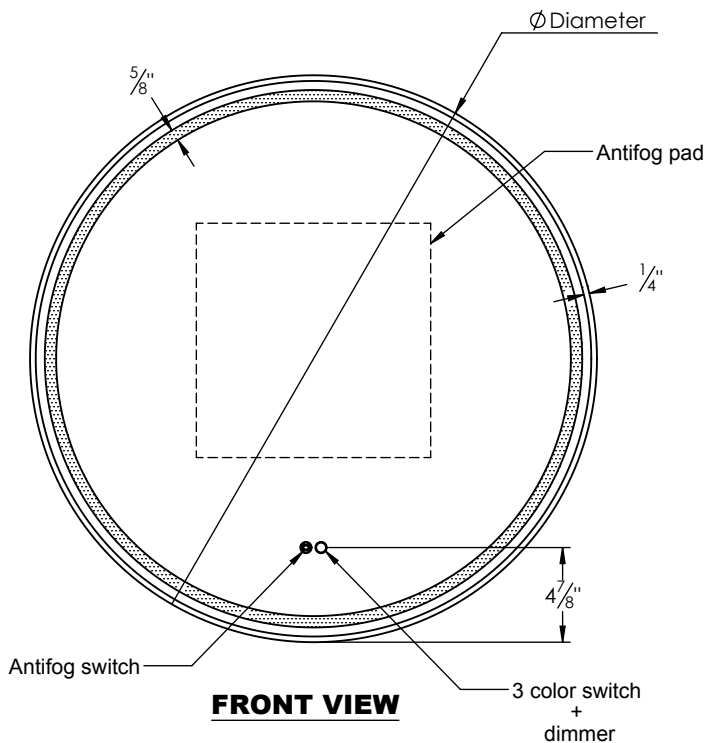


ROUGHING-IN DIMENSIONS

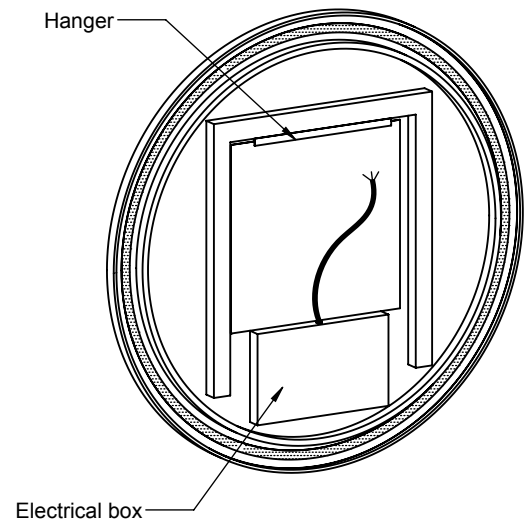


TOP VIEW

Model #	Diameter	Total Wattage
IM11830-25	29 1/2"	70 W
IM11836-25	35 1/2"	85 W



FRONT VIEW



REAR VIEW