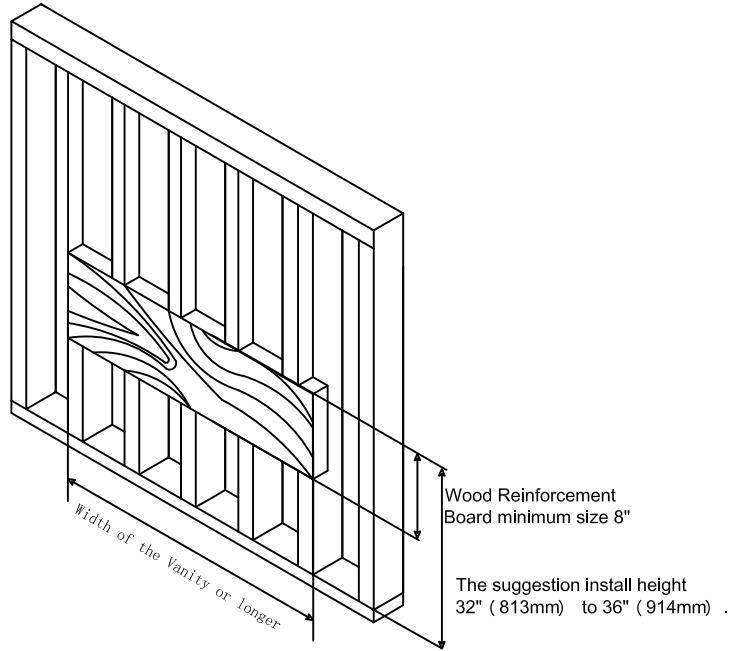


# Instruction and Care Guide

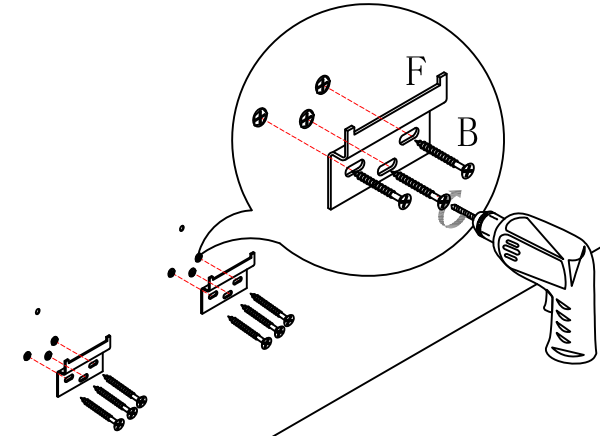


## Wall blocking is required for all installation

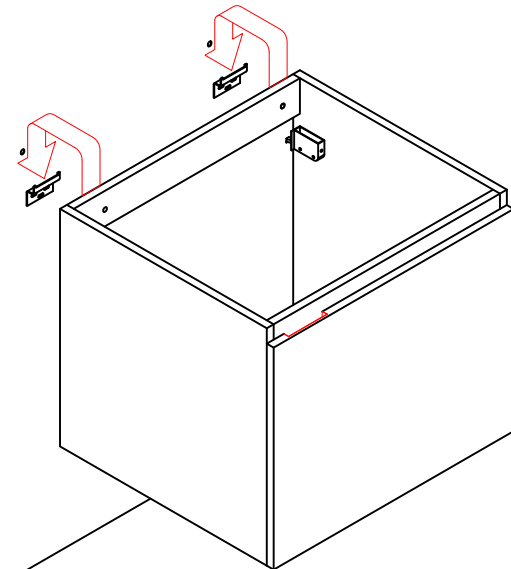
The typical dimensions shown will result in vanity cabinet height of 34-1/4" (870mm) .  
 Depending on the sinks selected, the total height will vary from 35" (890mm) 37-3/8" (950mm) .  
 If an alternate height is desired, adjust the rough-in and backing material heights using the dimensions provided.



## Step 1



## Step 2

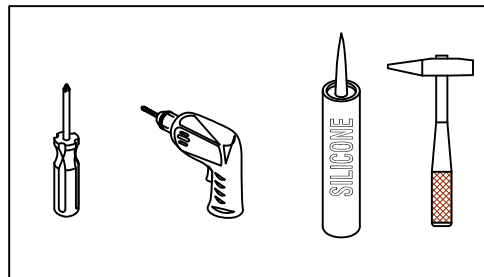


## ITEM NO.: IC7525

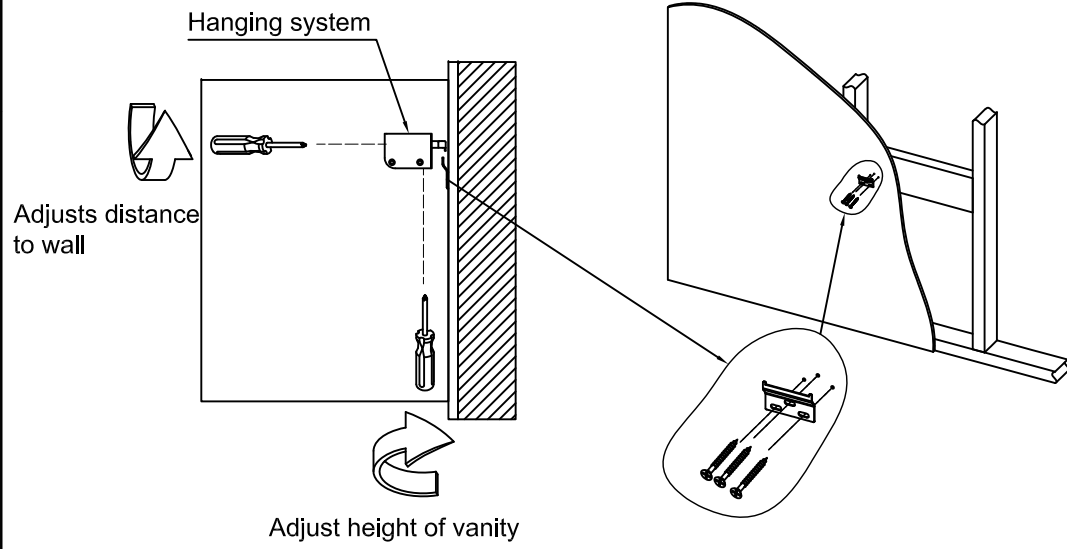
### Hardware

NO.	Draw	QTY
A		6
B		6
C		2
D		2
E		2
F		2

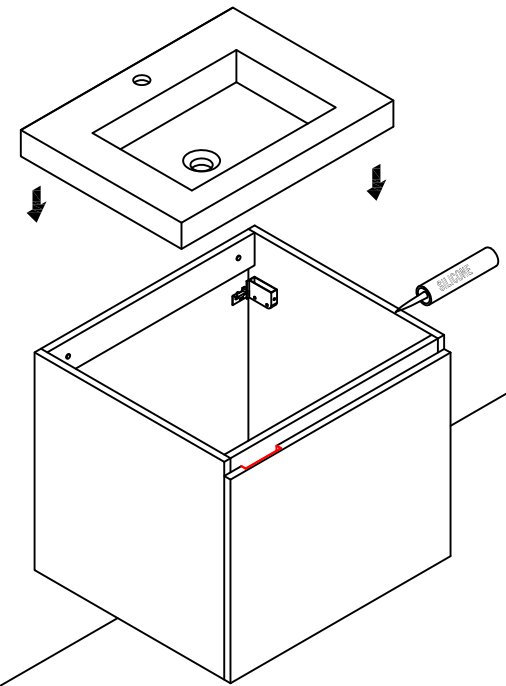
### Tools



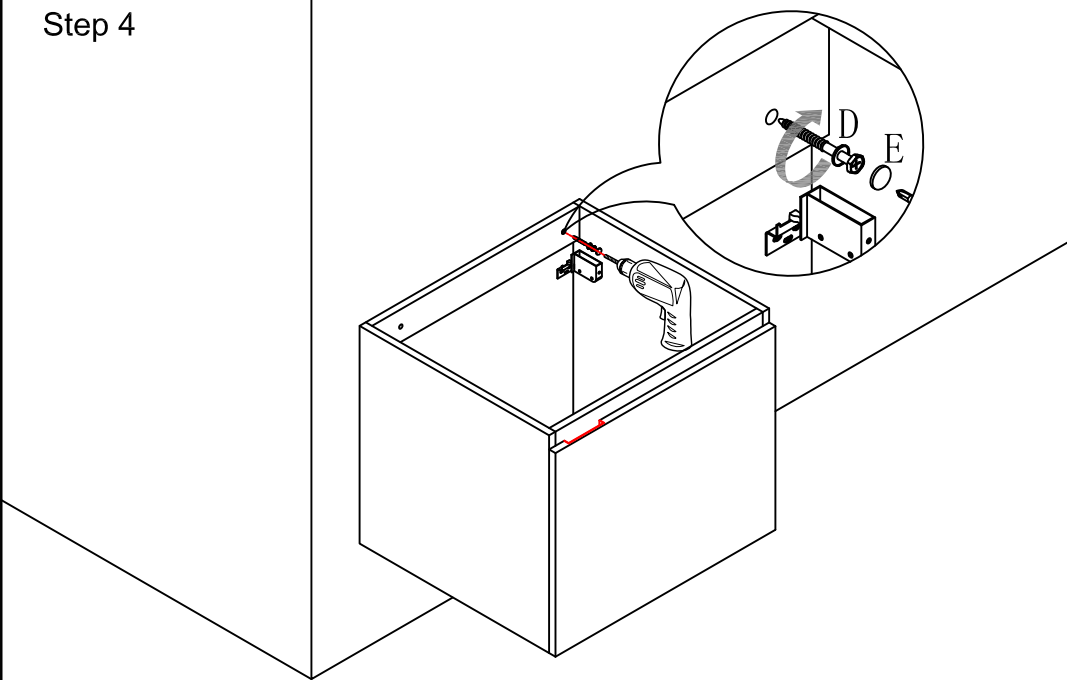
### Step 3



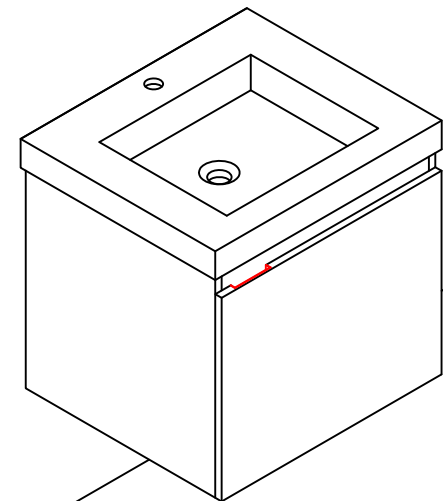
### Step 5



### Step 4



### Finished





INOLAY takes great pride in the durability of its products, using materials and finishes designed to endure day-to-day use, and withstand the ever-changing humidity and temperature levels of bathroom environments. We recommend the following care instructions for your new furniture:

- 1) Only cleaning products specifically designed for furniture should be used, such as Pledge (we highly recommend Pledge Multisurface Cleaner).
- 2) Soft cleaning products such as microfiber clothes may be used, but harsh or abrasive materials will damage the surface finish or remove the sealants. No bleach - or ammonia-based products should be used.

For questions, please call our customer service center at 1-855 472 4304.