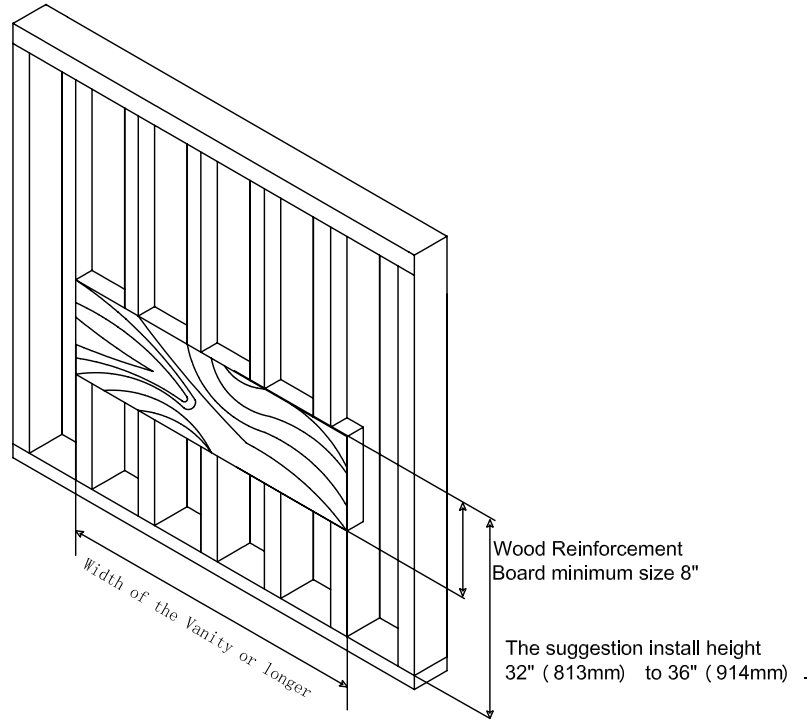


Instruction and Care Guide



Wall blocking is required for all installation

The typical dimensions shown will result in vanity cabinet height of 34-1/4" (870mm) .
 Depending on the sinks selected, the total height will vary from 35" (890mm) 37-3/8 (950mm) .
 If an alternate height is desired, adjust the rough-in and backing material heights using the dimensions provided.

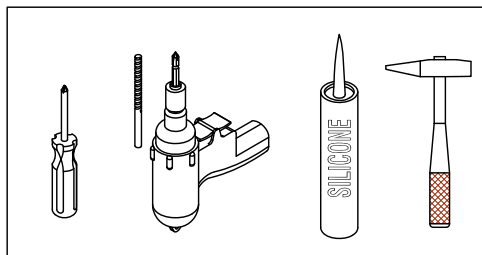


ITEM NO.: IC3531

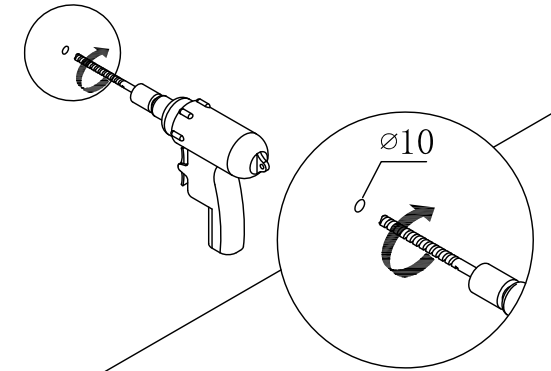
Hardware

NO.	Draw	QTY
A		2
B		2
C		2
D		4

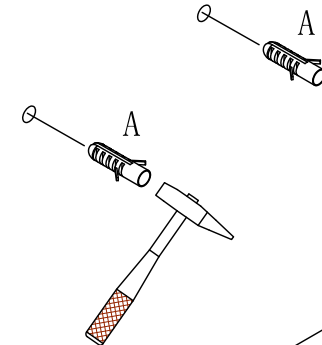
Tools



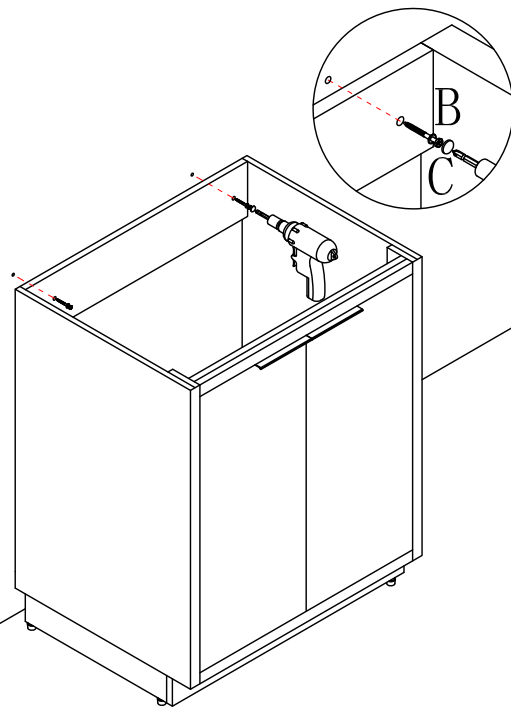
Step 1



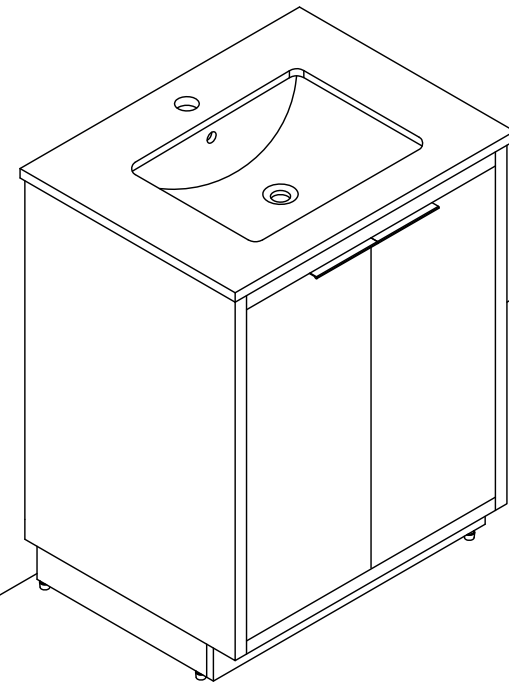
Step 2



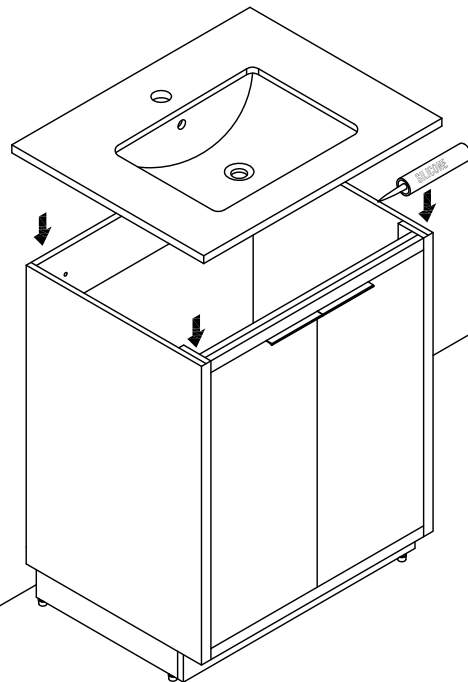
Step 3



Finished



Step 4





INOLAY takes great pride in the durability of its products, using materials and finishes designed to endure day-to-day use, and withstand the ever-changing humidity and temperature levels of bathroom environments. We recommend the following care instructions for your new furniture:

- 1) Only cleaning products specifically designed for furniture should be used, such as Pledge (we highly recommend Pledge Multisurface Cleaner).
- 2) Soft cleaning products such as microfiber clothes may be used, but harsh or abrasive materials will damage the surface finish or remove the sealants. No bleach - or ammonia-based products should be used.

For questions, please call our customer service center at 1-855 472 4304.