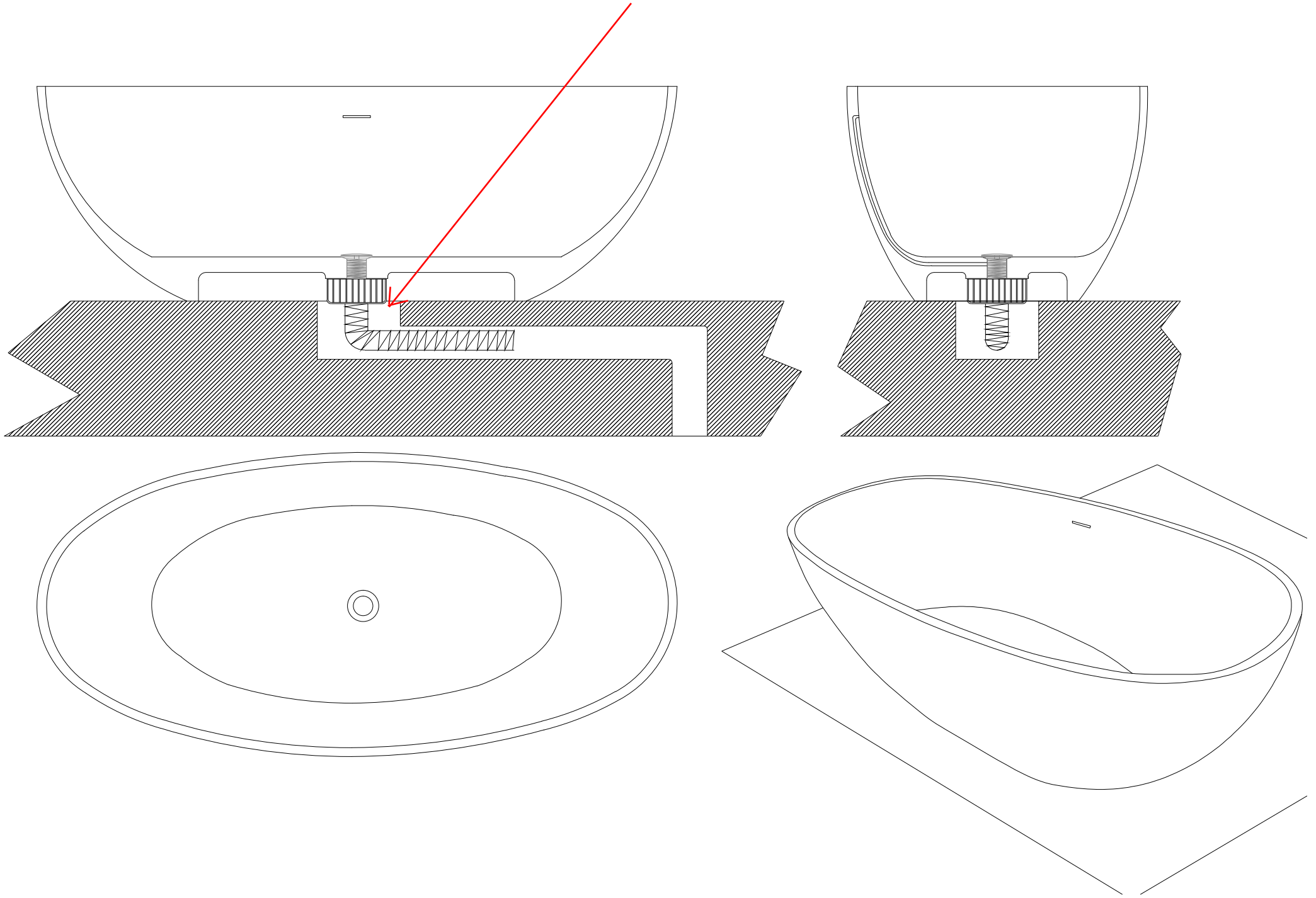
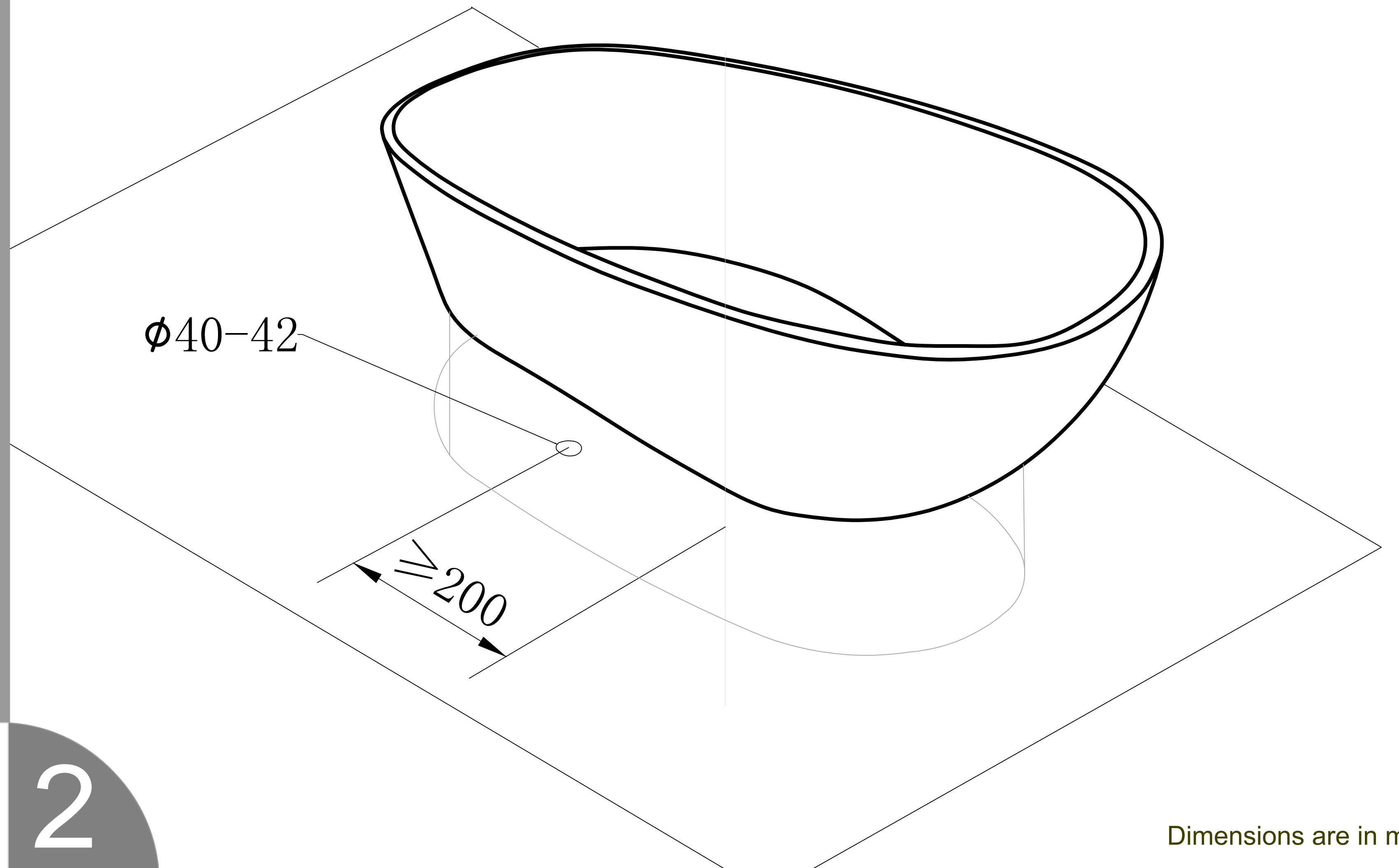
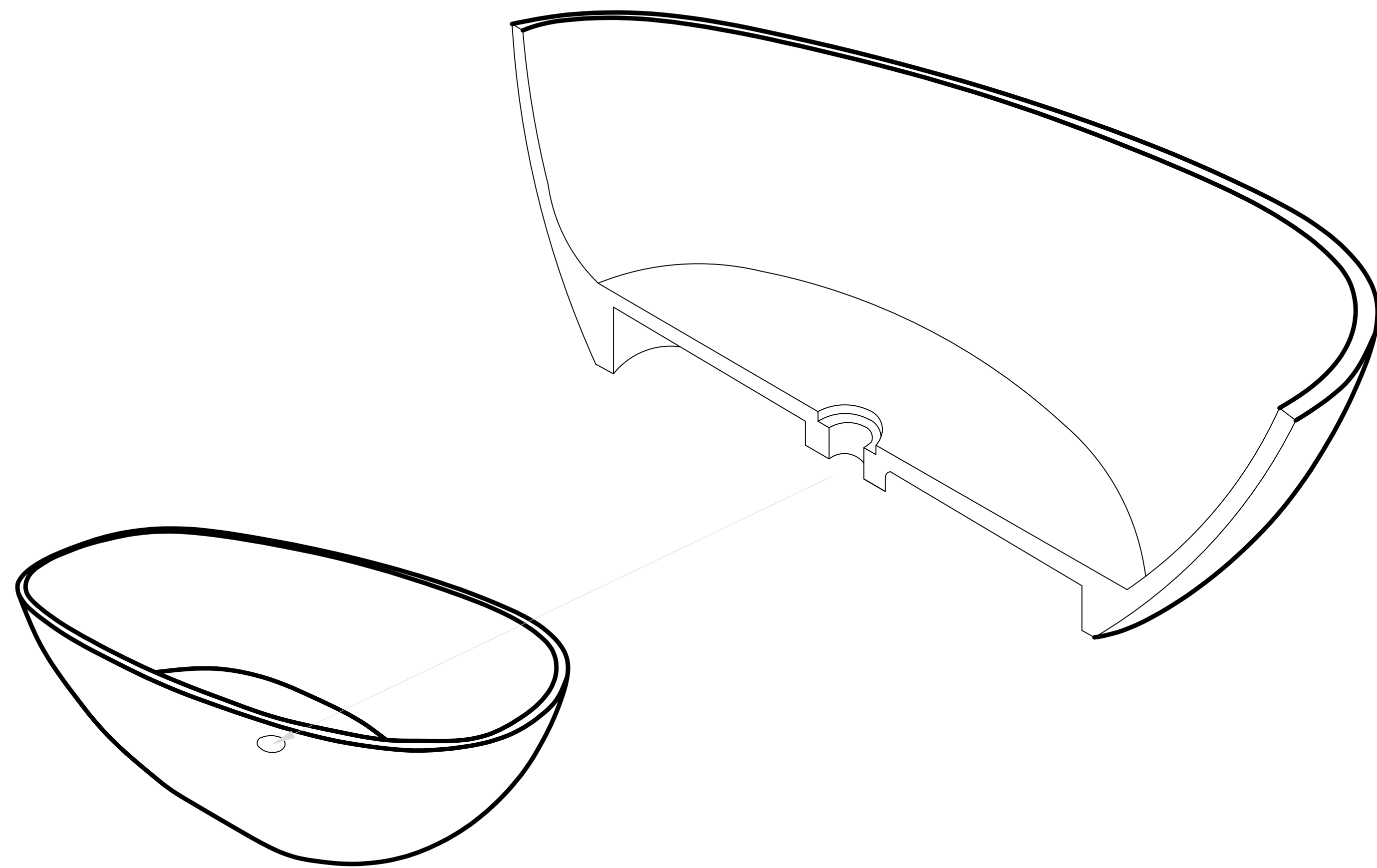
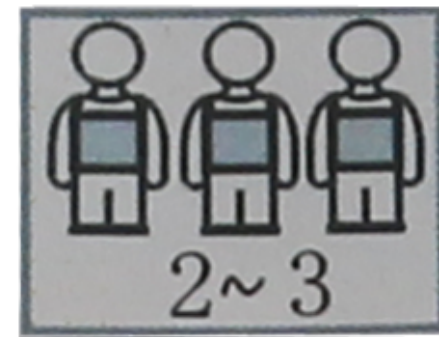
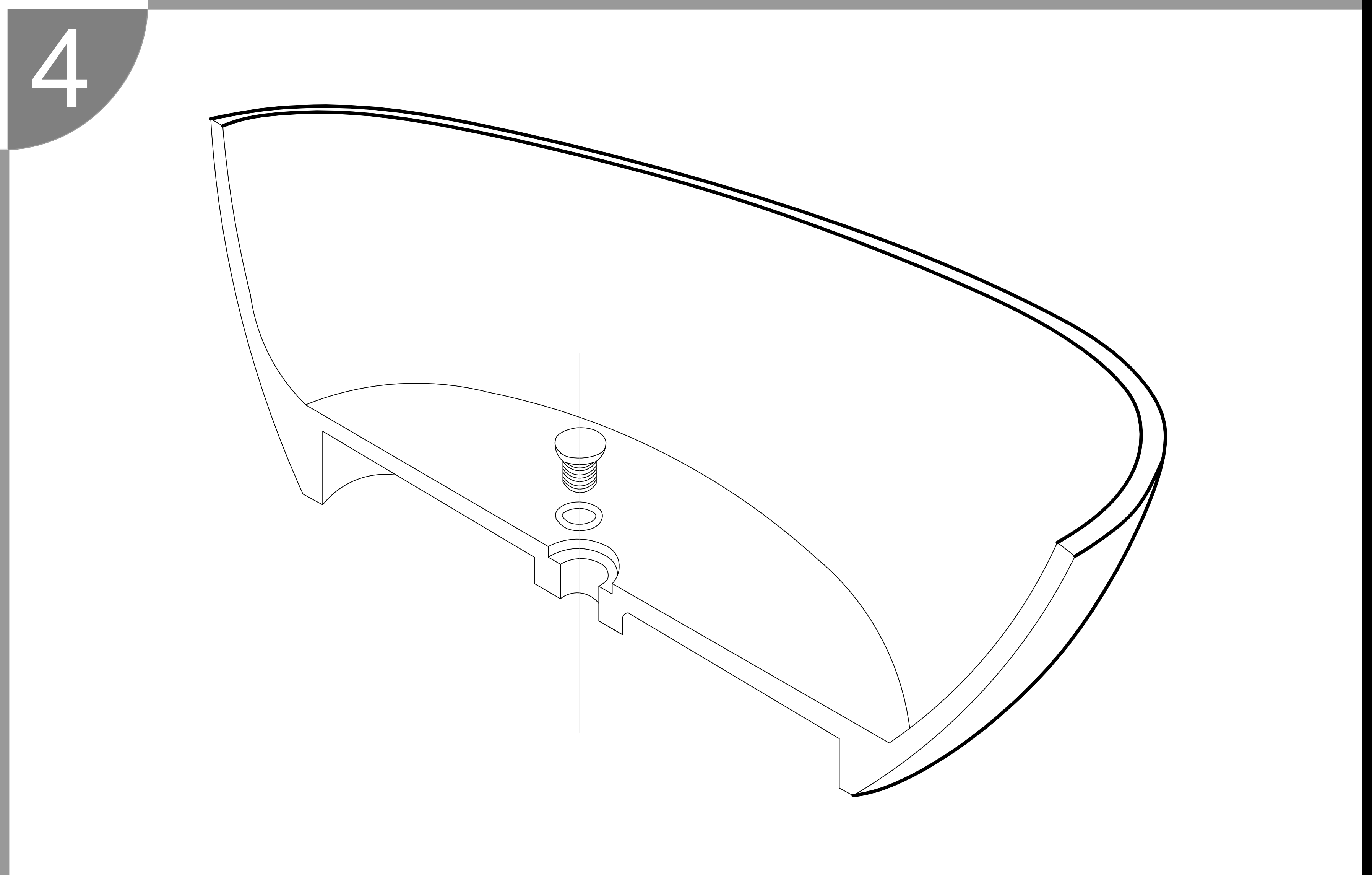
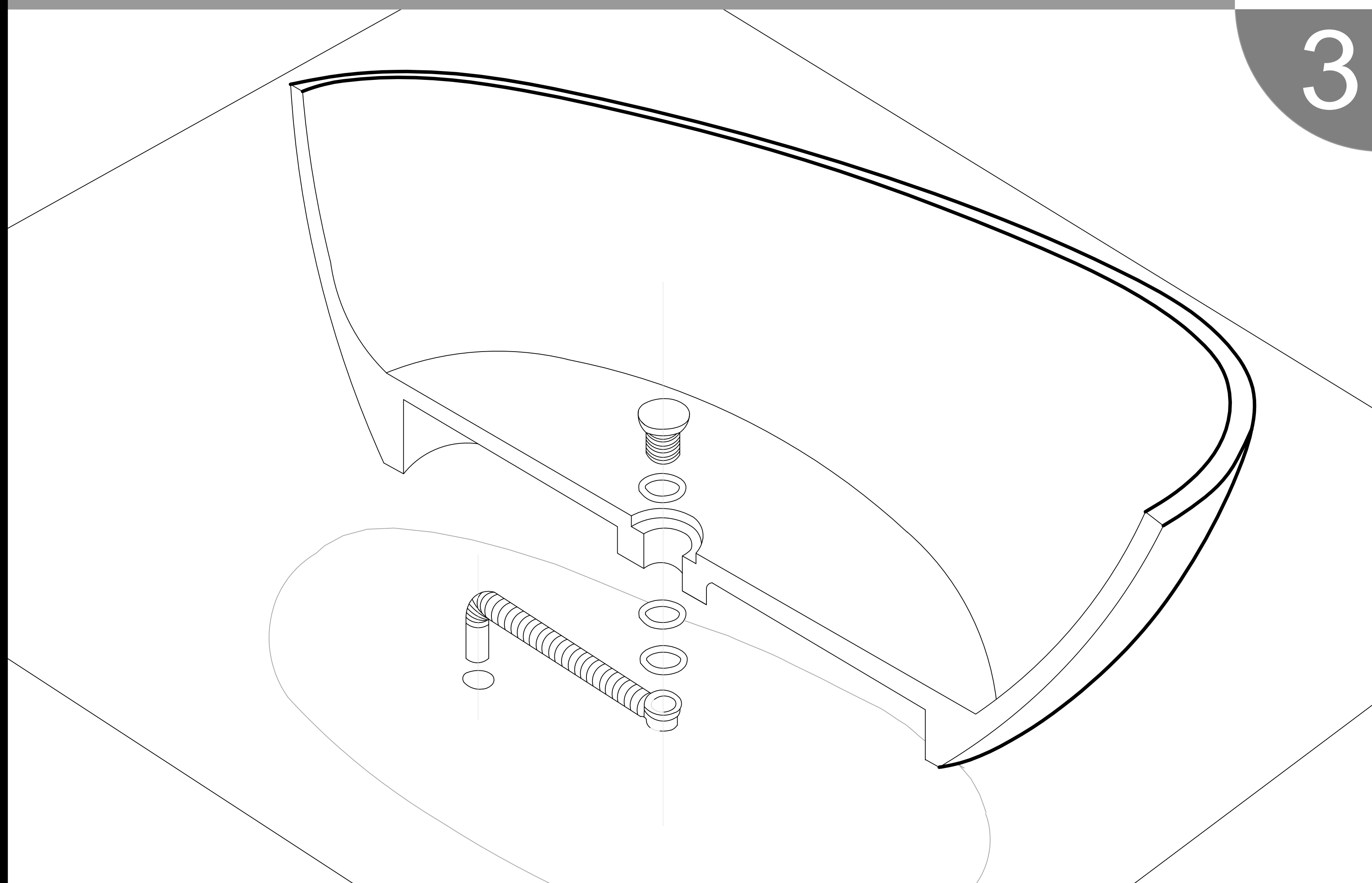
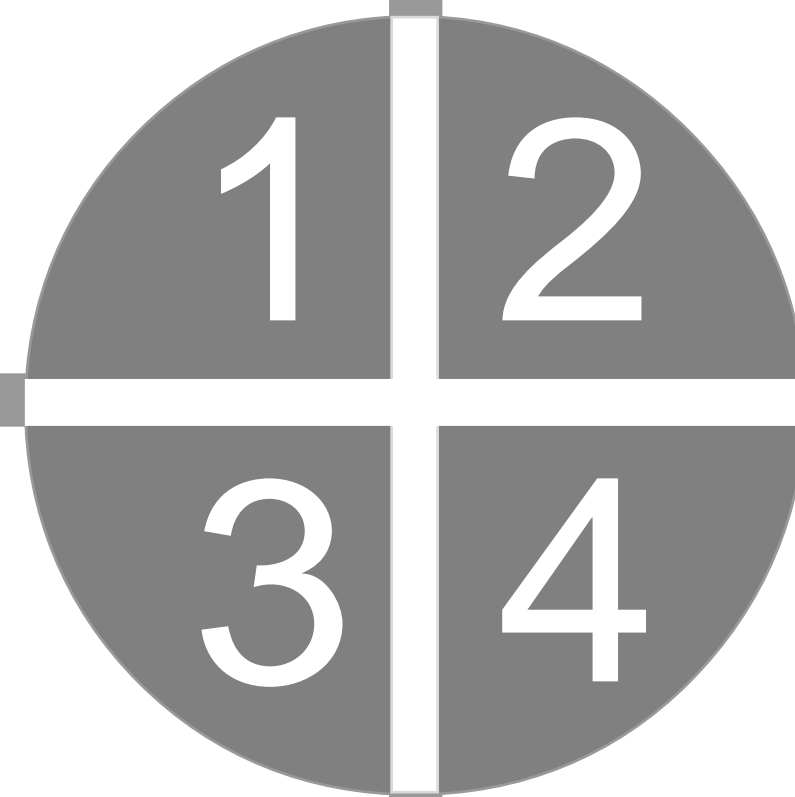


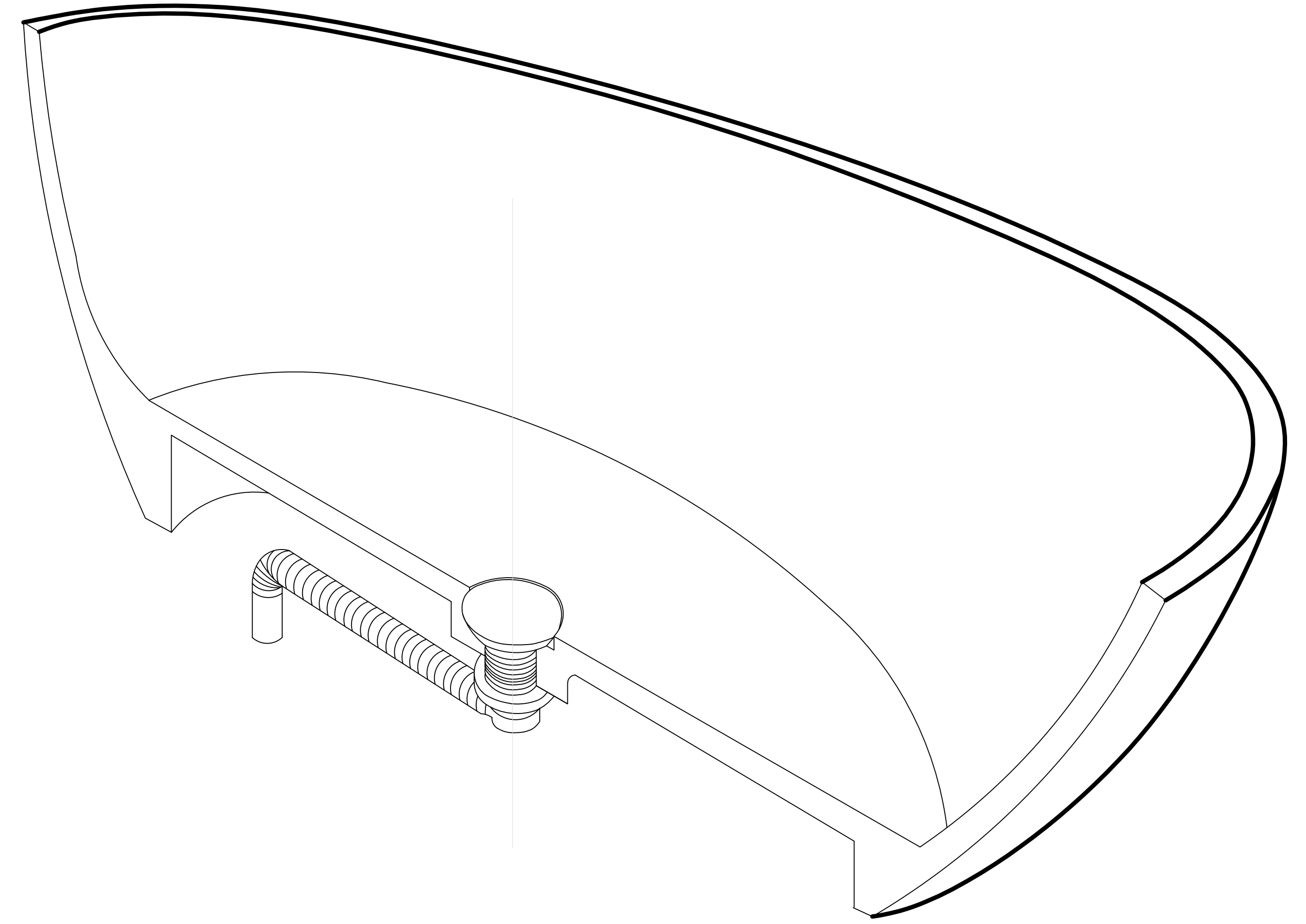
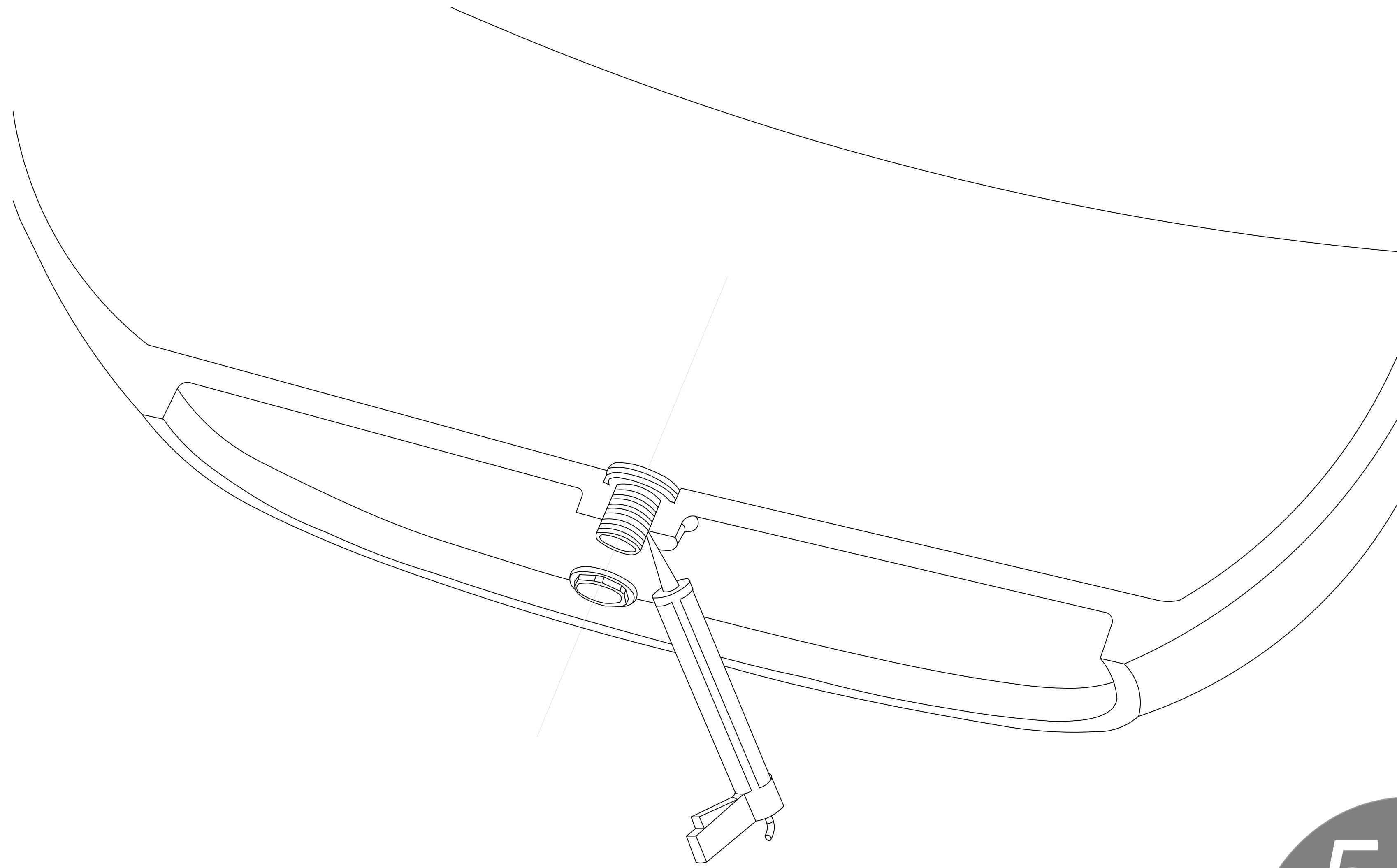
Need to have a notch on the floor to fit drainage as drawing show.





Dimensions are in mm





5 6  
7 8

