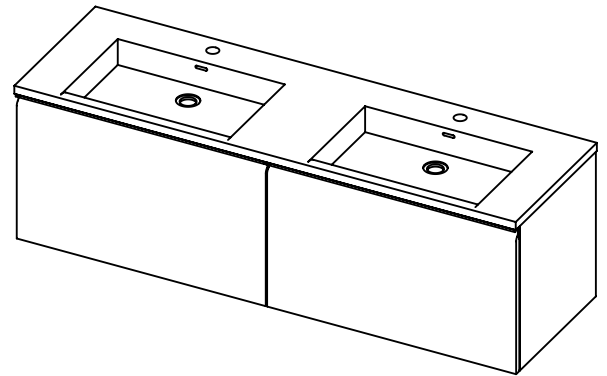


SPEC SHEET

PRODUCT DESCRIPTION

- Vanity BLAKE 59 double with Solid Surface counter top
- Cabinet available in Matt White (50) and Smoked Iron (65) finish
- Eco friendly hardwood plywood construction
- 2 x Soft close and full extension drawer
- Matte black metal handle in minimalistic style
- Solid Surface counter top with integrated basins in Matt White (with overflow hole)
- Solid Surface material is 38% polyester resin and 40% aluminum hydroxide powder
- Basin depth is 3 1/4"
- Includes mounting screws



ROUGHING-IN DIMENSIONS

