

### Tools required for installation



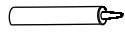
Electric drill



Drill bit  
(Φ6)



Tape measure  
(3m~5m)



Silicone



Pencil



Screwdriver

### Cabinet

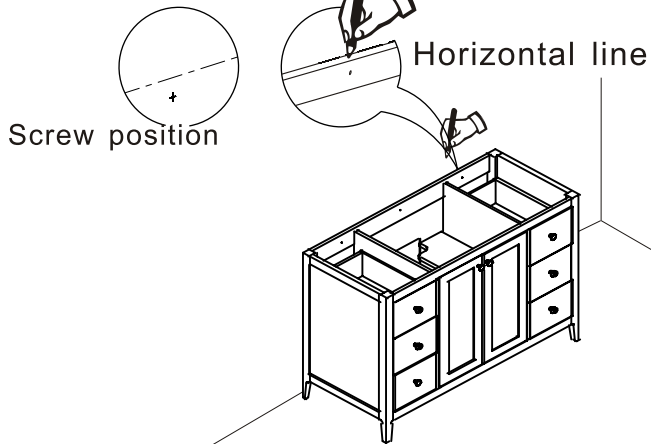


3E

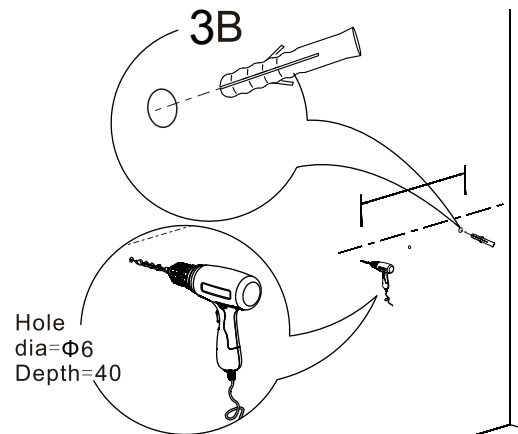


B

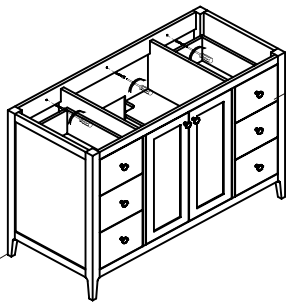
1



2



3



4

