

TROUBLE SHOOTING

Problem	Cause	Action
Leaks underneath drain nut.	Too much gap between threaded tube and drain nut.	Apply Teflon to threaded tube.
Leaks from tail piece.	Tail piece rubber washer is misaligned or worn out	Unscrew tail piece to check or replace rubber washer.
Drain does not close properly.	Missing spring washer or damaged spring mechanism.	Check for spring washer or replace spring mechanism.

CLEANING AND CARE

Clean the drain often with a soft cloth to keep it looking like new. For heavy cleaning you can use mild liquid detergents or non-abrasive liquid polisher. Rinse with water and dry with a soft cloth. Avoid abrasive cleaners, steel wool and harsh chemicals as these will dull the finish and void your warranty.

LIMITED LIFETIME WARRANTY

INOLAV provides its customers with an extensive warranty as a result of our excellent workmanship and high quality components used in our products.

Mechanical warranty: A limited lifetime warranty is provided on all mechanical parts to be free from manufacturing defects in materials and workmanship under normal use for as long as the original purchaser owns their home.

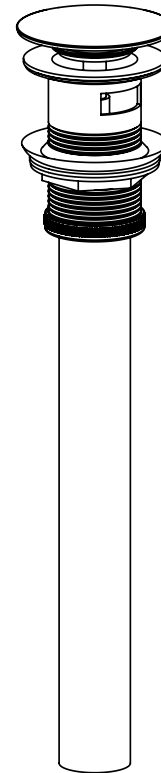
Finish warranty: A 5-year warranty is provided on all INOLAV faucet finishes to the original purchaser against manufacturing defects in materials and workmanship.

At its sole discretion, INOLAV will repair or replace any part or finish that proves to be defective in material and/or workmanship under normal installation, use and service.

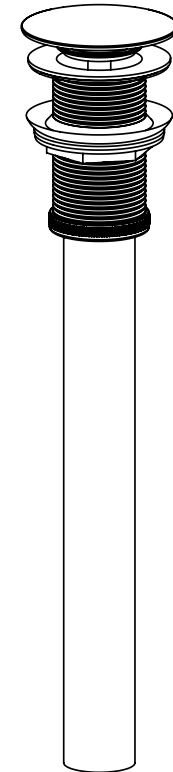
This warranty is extended to the original consumer owner, but does not cover installation or any other labor charges. In no event shall INOLAV be liable for any incidental, consequential or special damages, installation cost, labor, travel time, freight costs incurred, lost profits, or contingent liabilities. INOLAV makes no representation that its products comply with any or all local building or plumbing codes. It is the consumer's responsibility to determine local code compliance.

For warranty issues call us at 1-855 472 4304 or send us an e-mail at warranty@inolav.com

INSTALLATION MANUAL



Model: **ID1001**
(With overflow)

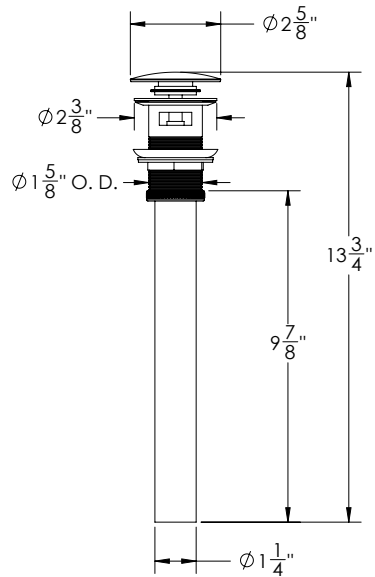


Model: **ID1002**
(Without overflow)

For questions call us at 1-855 472 4304 or visit our website at www.inolav.com

ID1001 Spec sheet

Pop up Drain with overflow

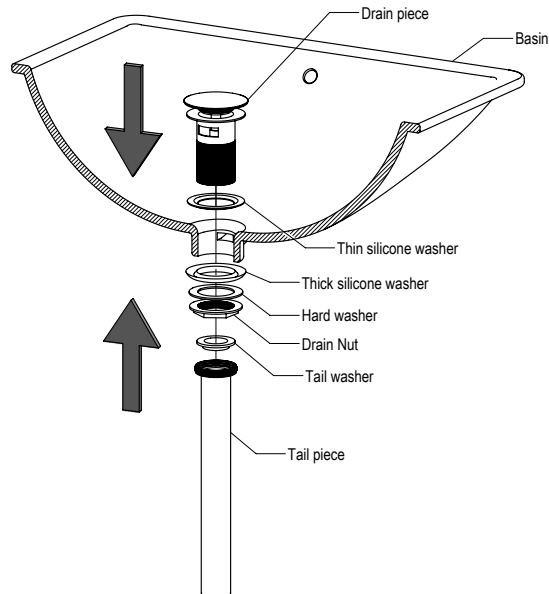


STEP 3

Insert thick silicone washer and hard washer over the exposed male threaded area and screw drain nut onto drain. **Do not overtighten.**

STEP 4

Screw tail piece onto drain using the tail washer. Install waste system (not included) and check for leakage.



STEP 1

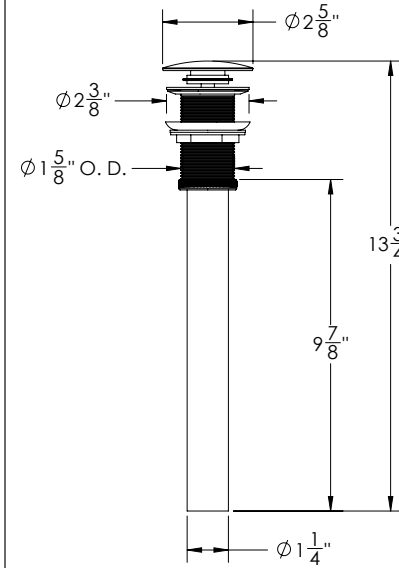
Remove all components from drain piece including: thin and thick silicone washer, hard washer, drain nut and tail piece.

STEP 2

Insert drain and thin silicone washer into basin. Apply teflon to the exposed male threading area of drain piece.

ID1002 Spec sheet

Pop up Drain without overflow



STEP 3

Insert thick silicone washer and hard washer over the exposed male threaded area and screw drain nut onto drain. **Do not overtighten.**

STEP 4

Screw tail piece onto drain using the tail washer. Install waste system (not included) and check for leakage.

STEP 1

Remove all components from drain piece including: thin and thick silicone washer, hard washer, drain nut and tail piece.

STEP 2

Insert drain and thin silicone washer into basin. Apply teflon to the exposed male threading area of drain piece.

