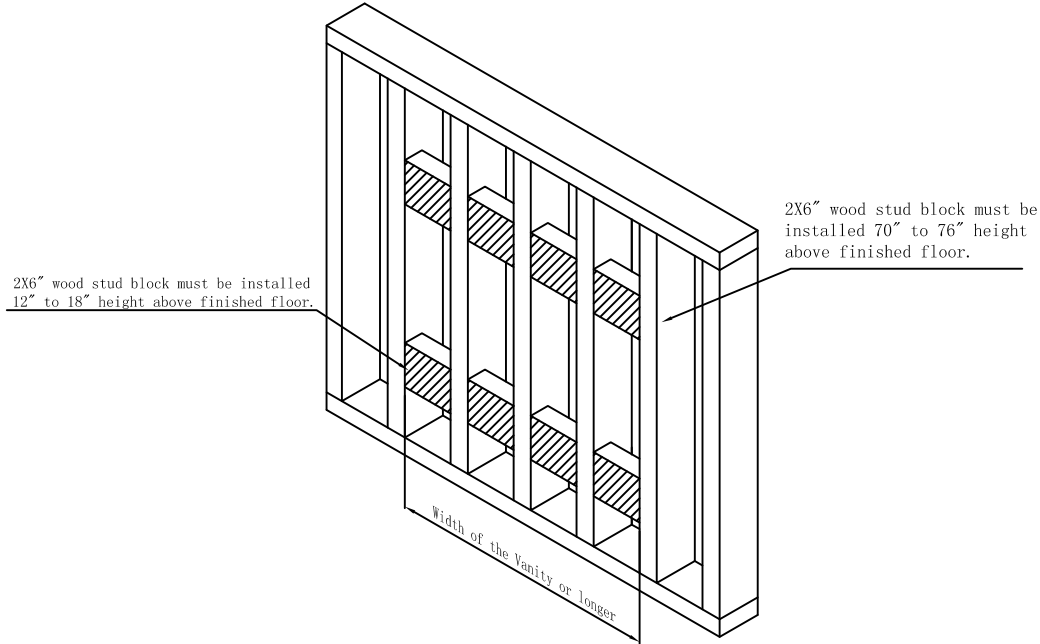


Instruction and Care Guide

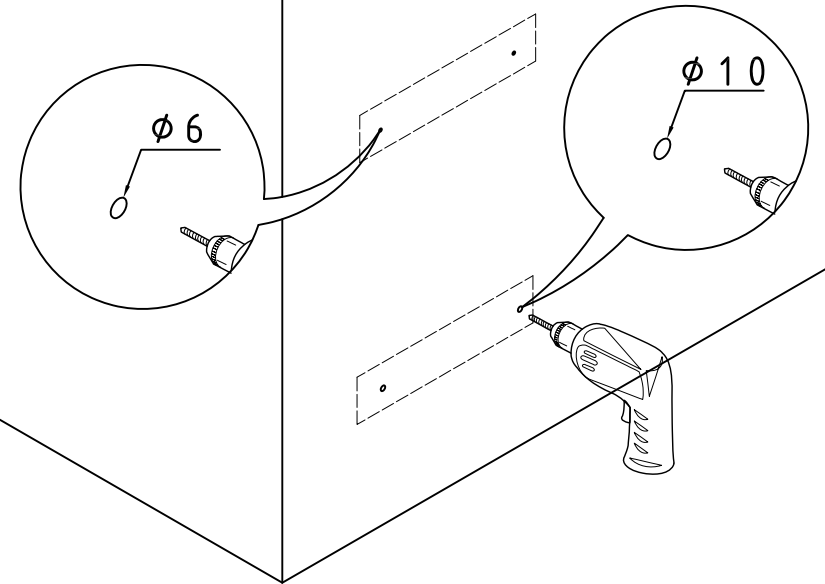


Wall blocking is required for all installation

The typical dimensions shown will result in vanity cabinet height of 34-1/4" (870mm) .
 Depending on the sinks selected, the total height will vary from 35" (890mm) 37-3/8" (950mm) .
 If an alternate height is desired, adjust the rough-in and backing material heights using the dimensions provided.

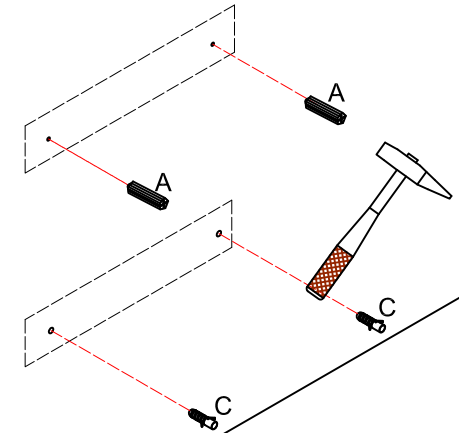


Step 1



Step 2

For installation in the USA DO NOT use anchors 'A'. Instead, Wall Screws 'B' goes directly into the wall blocking.

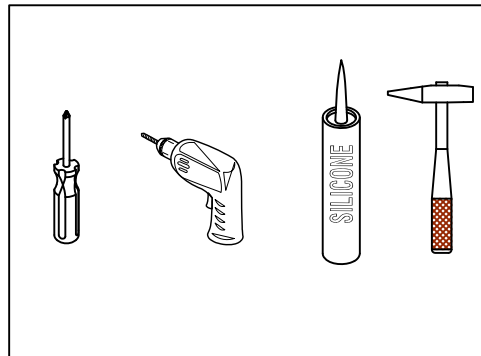


ITEM NO.: IM4524 / IC4530 / IC4536

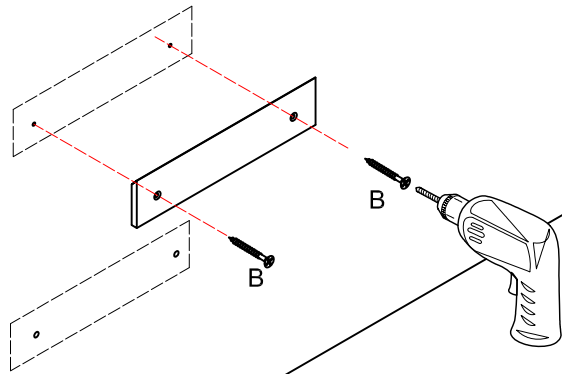
Hardware

NO.	Draw	QTY
A		2
B		2
C		2
D		2
E		2
F		8

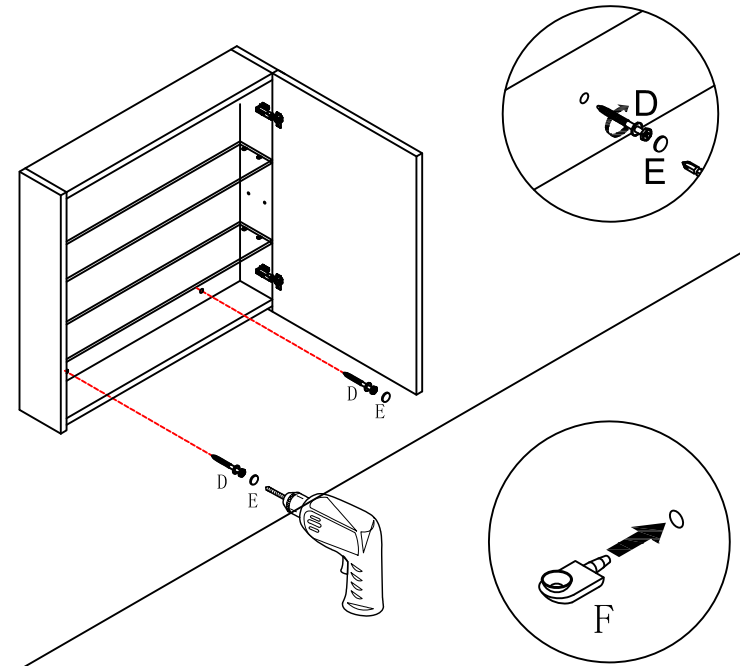
Tools



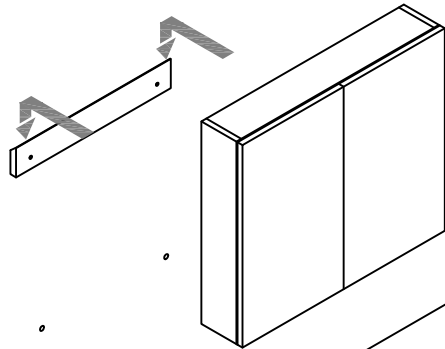
Step 3



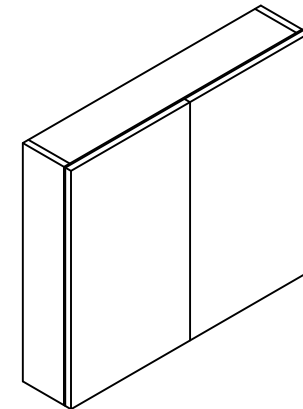
Step 5



Step 4



Finished





INOLAV takes great pride in the durability of its products, using materials and finishes designed to endure day-to-day use, and withstand the ever-changing humidity and temperature levels of bathroom environments. We recommend the following care instructions for your new furniture:

- 1) Only cleaning products specifically designed for furniture should be used, such as Pledge (we highly recommend Pledge Multisurface Cleaner).
- 2) Soft cleaning products such as microfiber clothes may be used, but harsh or abrasive materials will damage the surface finish or remove the sealants. No bleach - or ammonia-based products should be used.

For questions, please call our customer service center at 1-855 472 4304.