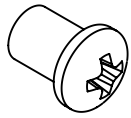


A x 1 Emmet 11 Bridge IC4011-



B x 8 Threaded rod



C x 16 Screw cap

TOOLS REQUIRED



Phillips screwdriver



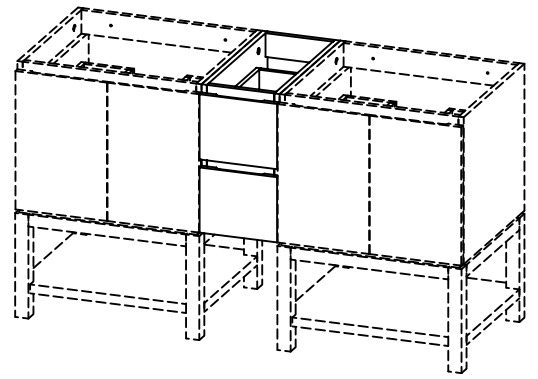
Measuring tape



Power drill
3/8" dia drill bit



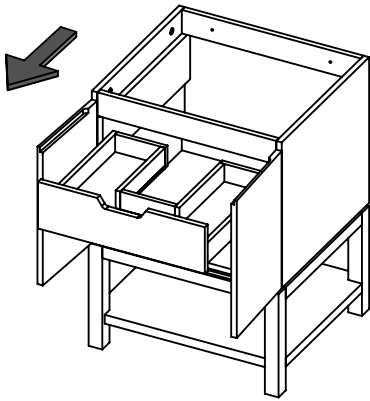
Pencil



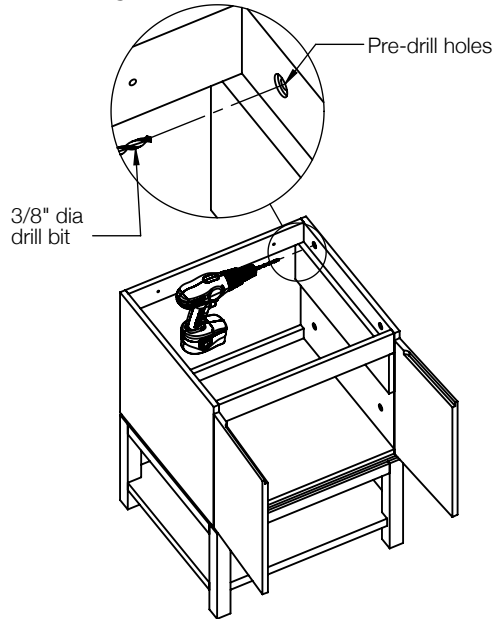
Finished view

INSTALLATION INSTRUCTIONS

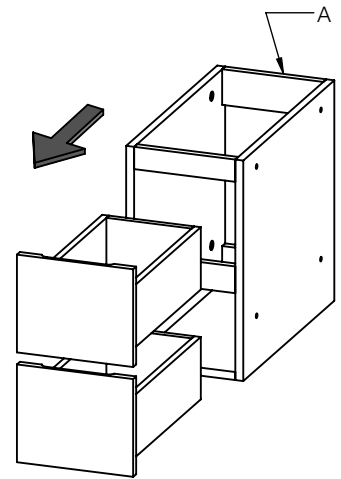
- 1** Remove drawer from EMMET vanity. See drawer removal below. (EMMET vanity sold separately.)



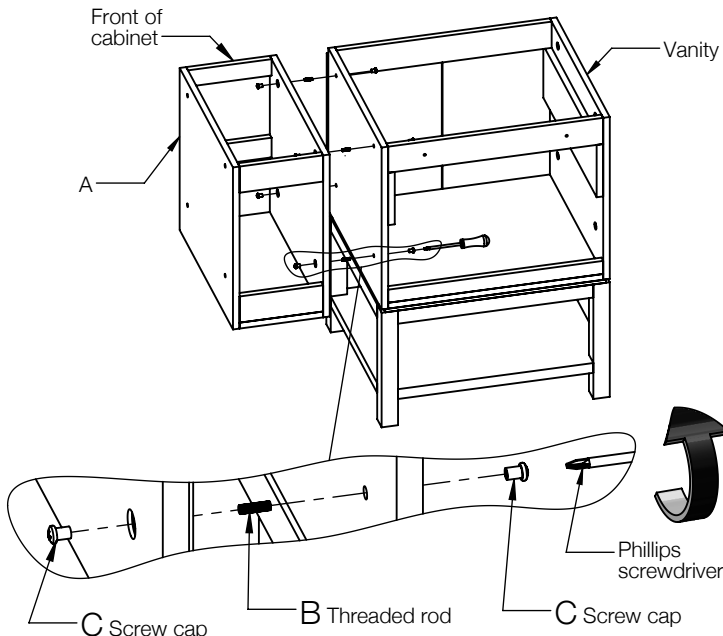
- 2** Finish drilling the pre-drilled holes in EMMET vanity. Make sure to drill only the side that will connect to EMMET bridge.



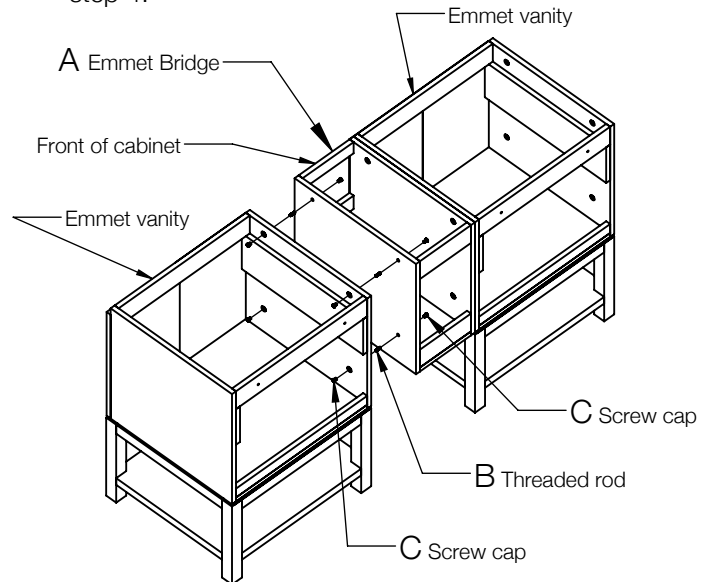
- 3** Remove drawer from EMMET bridge (A). See drawer removal below.



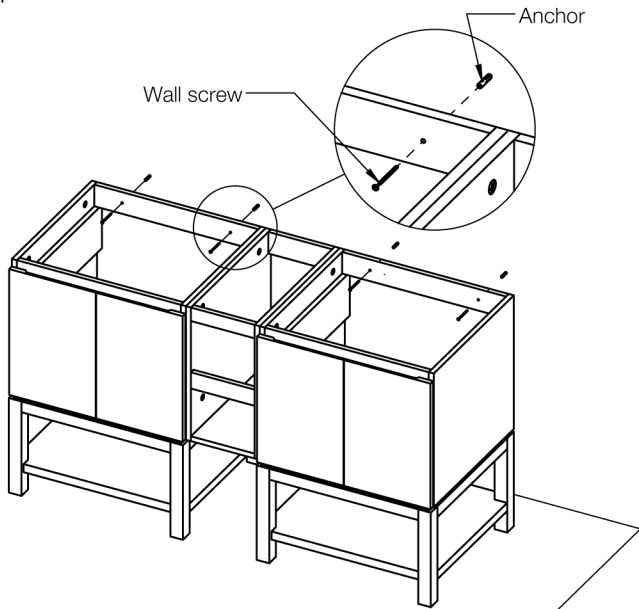
- 4** Attach EMMET bridge (A) to vanity by screwing the threaded rod (B) into screw cap (C) as shown below. Use a phillips screwdriver to tighten the screw caps.



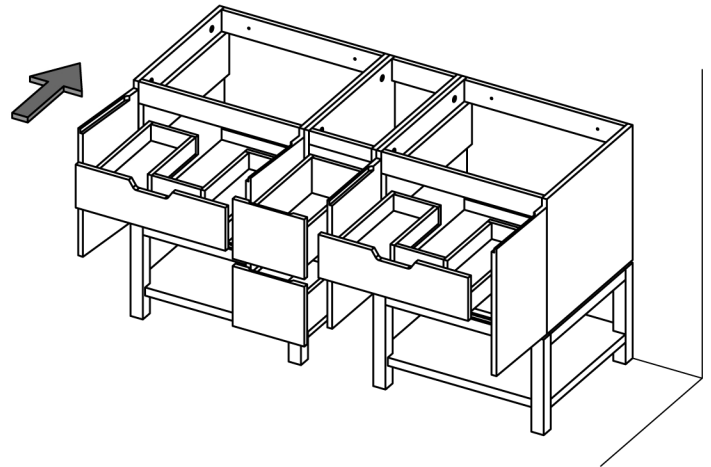
- 5** Repeat step 1 and 2 using second vanity. Attach second vanity to the other side of EMMET bridge (A) by repeating step 4.



6 Fix vanity to the wall using the screw and anchors provided with the vanities.



7 Insert all drawers back inside the cabinets. See drawer installation below.



DRAWER REMOVAL AND INSTALLATION

REMOVAL

INSTALLATION

