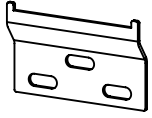


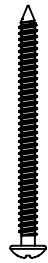
A x 1 Adams cabinet



B x 2 Wall bracket



C x 6 Medium size screw



D x 3 Long size screw



D x 12 Anchors

(Discard anchors for installation in the USA. Use wood re-enforced walls instead.)

TOOLS REQUIRED



Phillips screwdriver



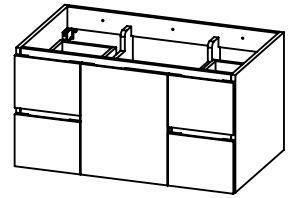
Measuring tape



Power drill



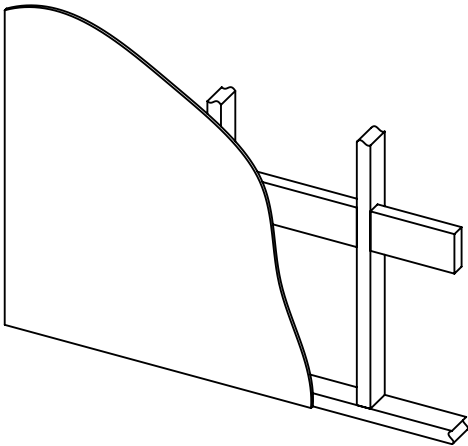
Pencil



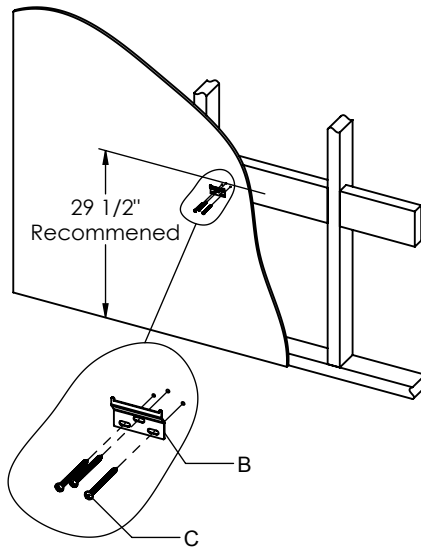
Finished view

INSTALLATION INSTRUCTIONS

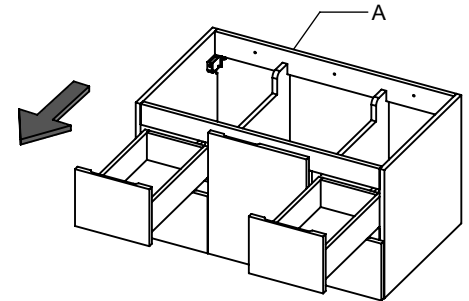
1 Re-enforce the wall using a sheet of plywood or 2" by 6" wood beams.



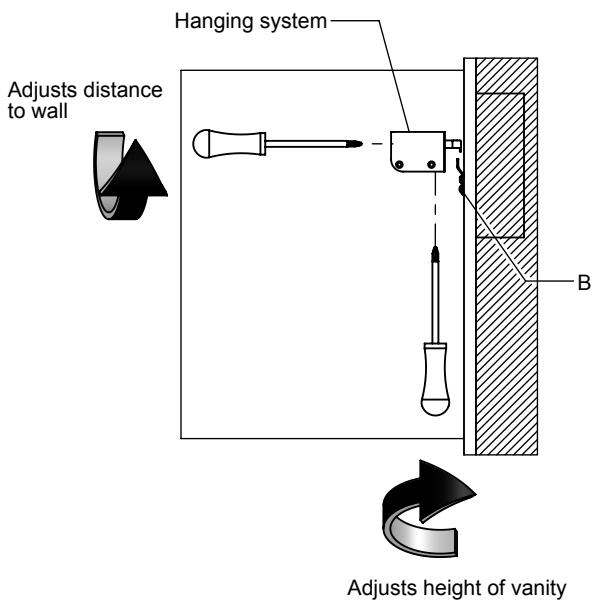
2 Measuring for the desired height, secure wall brackets (B) to the wall. Make sure that screws go into the re-enforced area of the wall. 29.5" to the top screw is the recommended height.



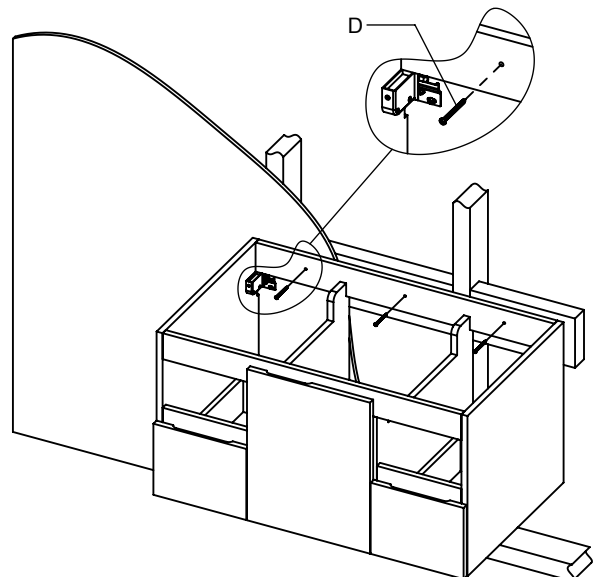
3 Remove top drawers from ADAMS cabinet (A). See drawer removal below.



4 Hang cabinet (A) onto wall brackets (B) and adjust hanging system as shown below.

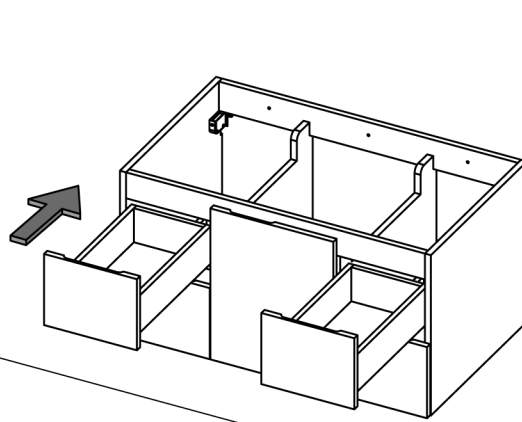


5 Secure cabinet (A) to the wall using long screws (D). Make sure to drive screws (B) into re-enforced area of the wall.



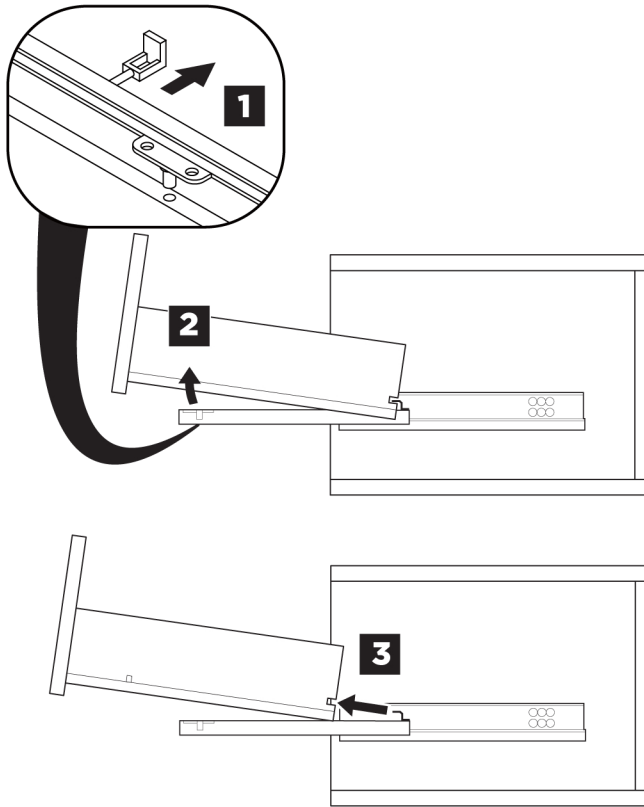
6

Insert drawer back inside the cabinet. See drawer installation below.



DRAWER REMOVAL AND INSTALLATION

REMOVAL



INSTALLATION

