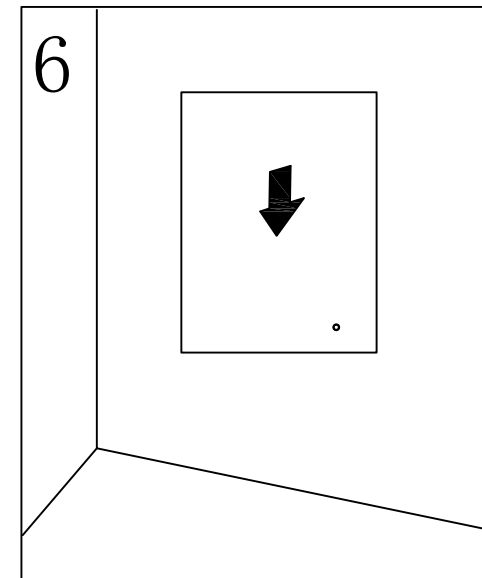
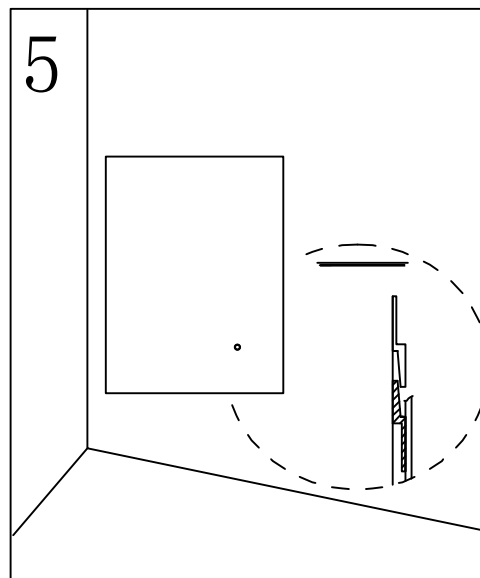
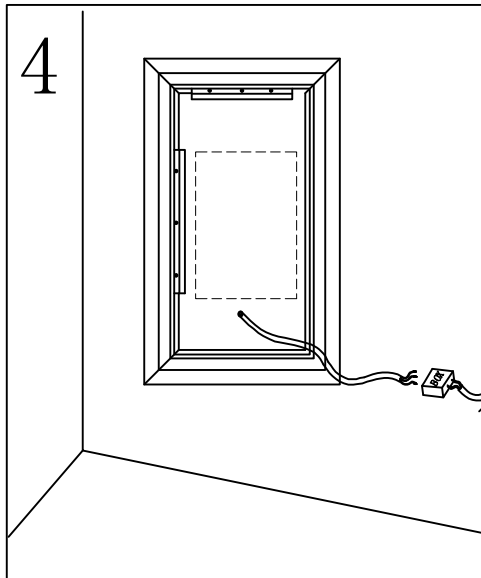
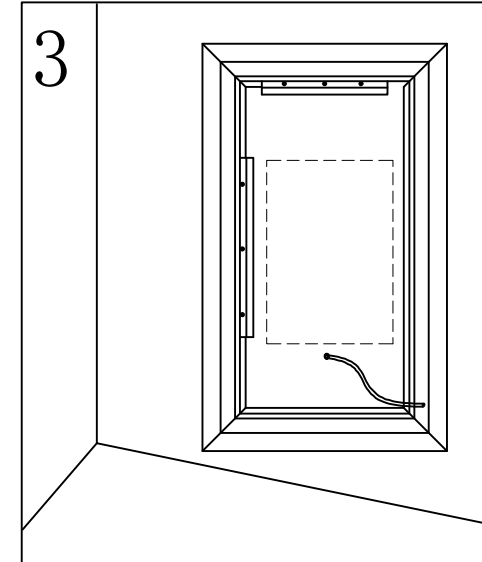
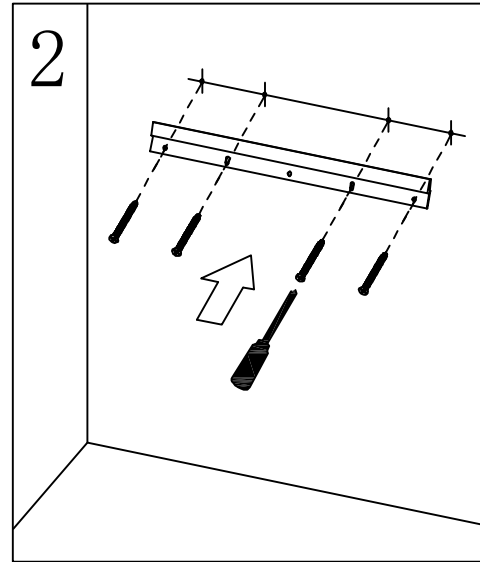
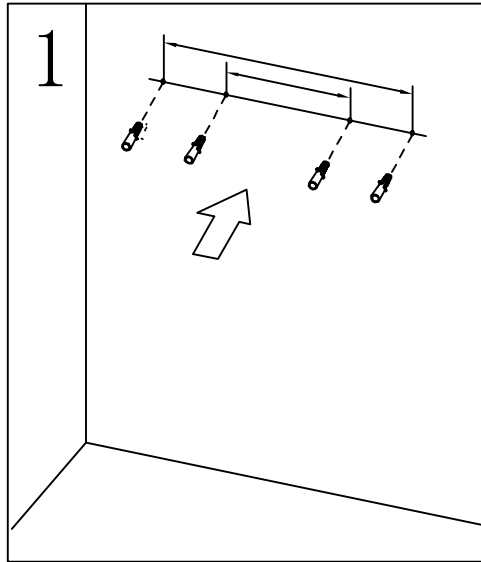


# Installation Instructions LED mirror



## Operation Instructions :

1. Quick touch the light switch for LED color change (3 options available: warm, neutral, and cool).
2. Press and hold the light switch to activate dimmer function.
3. Defogger function will become activated for 60 minutes after any quick touch to the light switch.